




[www.arkel.com.tr](http://www.arkel.com.tr)

## ARCODE LIFT CONTROL PANEL

EN 81-20

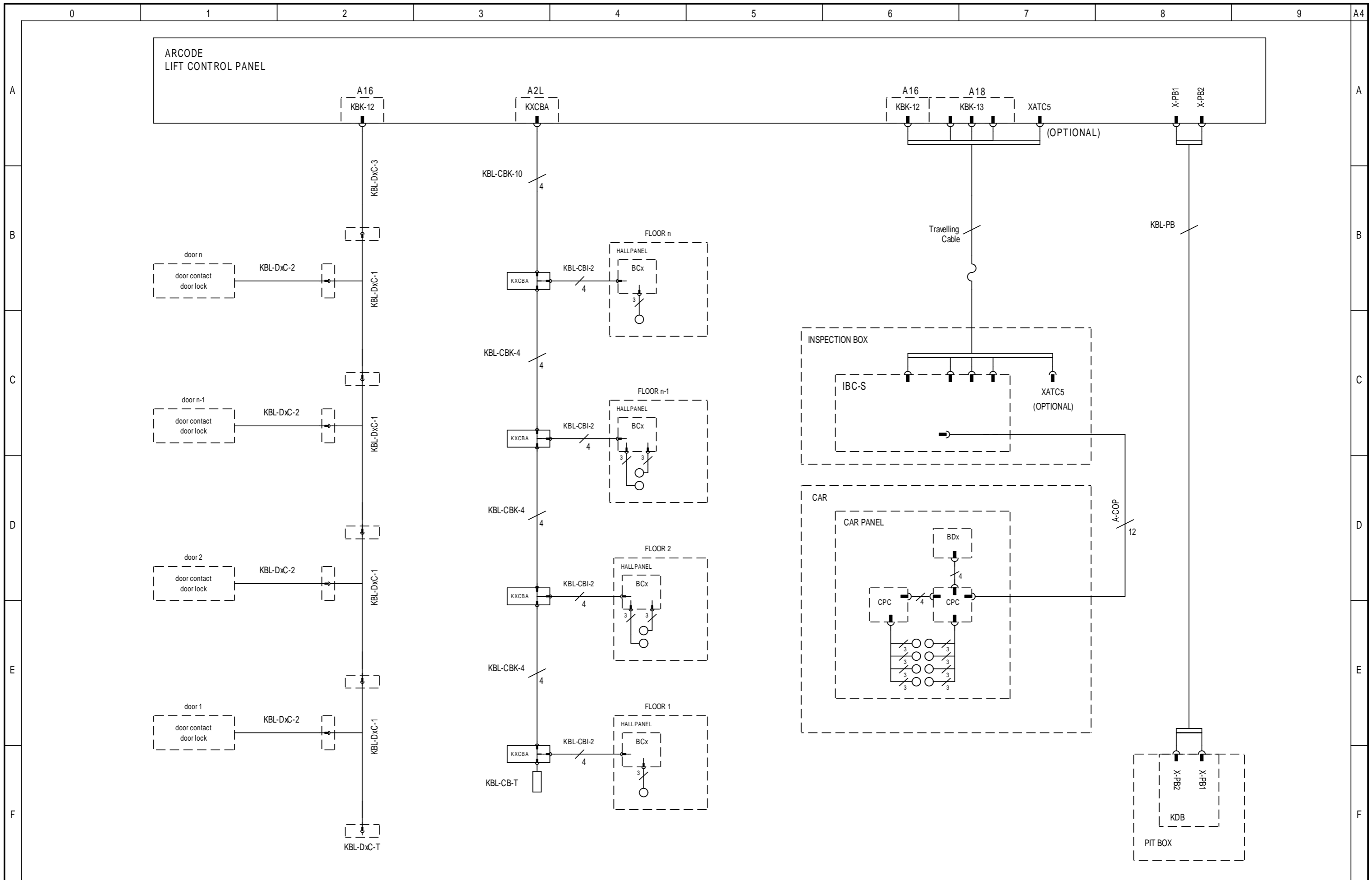
PANEL SERIAL NO:	
CUSTOMER:	
ORDER NO:	
INSTALLATION ADDRESS:	

List of Documents

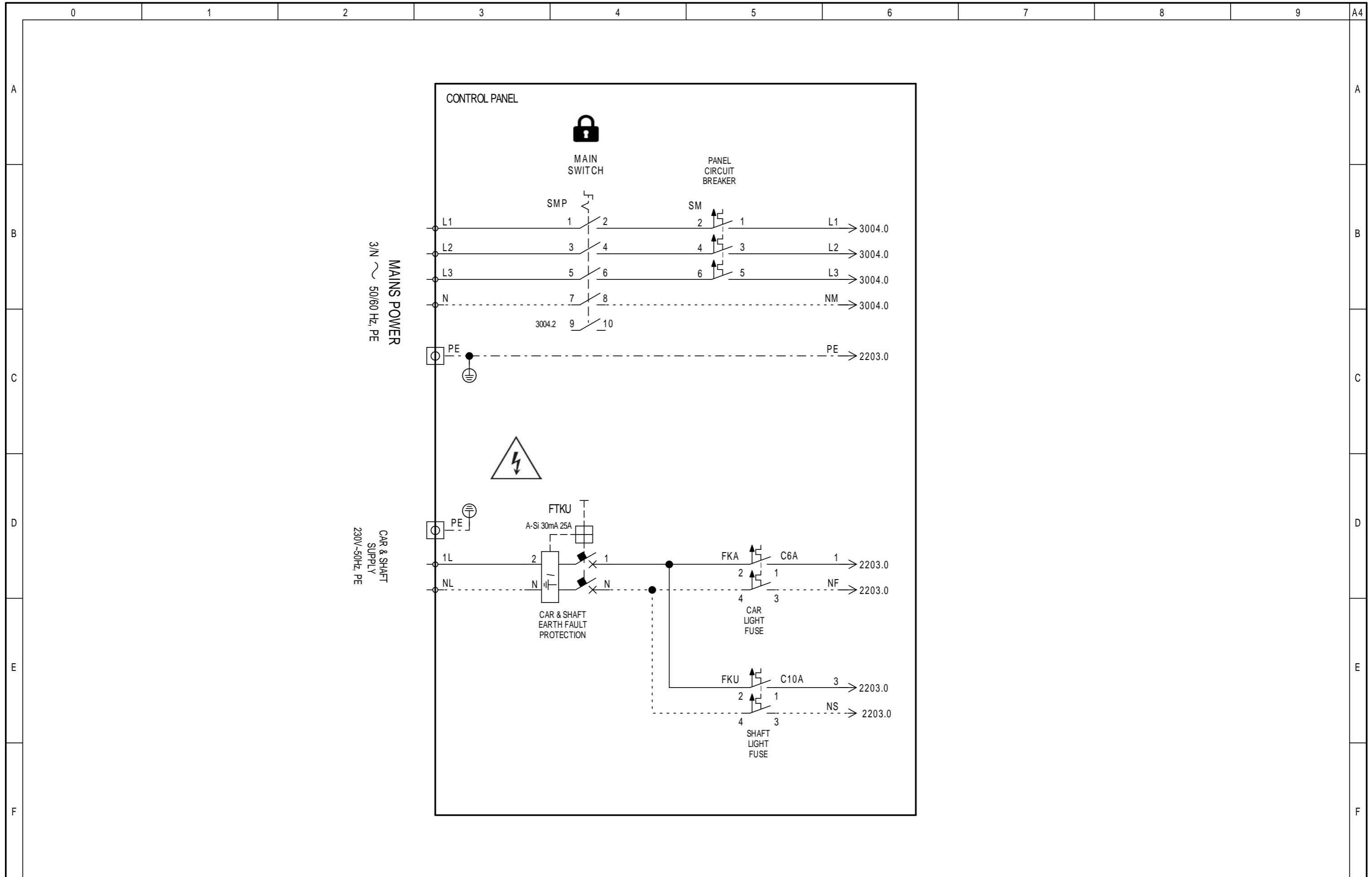
Sheet	Kind of Document	Description	Revision no	Revision date
1	Project cover sheet			
1	Document list			
2	Document list			
1 003	Circuit diagrams (EN)	PRE-WIRED INSTALLATION OVERVIEW	V1.0	21.01.2017
2 030	Circuit diagrams (EN)	MAINS POWER	V1.0	21.01.2017
2 203	Circuit diagrams (EN)	CAR & SHAFT SUPPLY	V1.0	21.01.2017
3 004	Circuit diagrams (EN)	SUPPLY CIRCUITS	V1.0	21.01.2017
4 006	Circuit diagrams (EN)	CONTACTOR CIRCUITS	V1.0	21.01.2017
4 152	Circuit diagrams (EN)	MOTOR CIRCUITS	V1.0	21.01.2017
4 304	Circuit diagrams (EN)	SPEED GOVERNOR SET-RESET	V1.0	21.01.2017
4 500	Circuit diagrams (EN)	BATTERY SUPPLY	V1.0	21.01.2017
5 003	Circuit diagrams (EN)	MECHANICAL BRAKE CIRCUITS	V1.0	21.01.2017
5 900	Circuit diagrams (EN)	ENCODER CONNECTION	V1.0	21.01.2017
5 901	Circuit diagrams (EN)	MOTOR FAN	V1.0	21.01.2017
6 003	Circuit diagrams (EN)	OTHER CONNECTIONS	V1.0	21.01.2017
6 500	Circuit diagrams (EN)	PANEL FAN	V1.0	21.01.2017
6 800	Circuit diagrams (EN)	INTERCOM	V1.0	21.01.2017
6 801	Circuit diagrams (EN)	ALARM BUTTONS	V1.0	21.01.2017
6 802	Circuit diagrams (EN)	ACOUSTIC ALARMS	V1.0	21.01.2017
6 804	Circuit diagrams (EN)	TELE-ALARM	V1.0	21.01.2017
6 806	Circuit diagrams (EN)	DOOR BYPASS - BUZZER & FLASHING LIGHT	V1.0	21.01.2017
7 053	Circuit diagrams (EN)	SAFETY CIRCUITS	V1.0	21.01.2017
7 054	Circuit diagrams (EN)	SAFETY CIRCUITS	V1.0	21.01.2017
7 055	Circuit diagrams (EN)	SAFETY CIRCUITS	V1.0	21.01.2017
7 152	Circuit diagrams (EN)	LANDING DOOR CONTACTS	V1.0	21.01.2017
7 153	Circuit diagrams (EN)	LANDING DOOR CONTACTS	V1.0	21.01.2017
7 200	Circuit diagrams (EN)	SAFETY CIRCUITS	V1.0	21.01.2017
7 303	Circuit diagrams (EN)	SAFETY CIRCUITS	V1.0	21.01.2017
7 401	Circuit diagrams (EN)	DOOR CONTACT CABLE BRIDGING ON KBL-D3C-2	V1.0	21.01.2017
9 012	Circuit diagrams (EN)	AUTOMATIC DOOR CONNECTION	V1.0	15.12.2014
 <p>www.arkel.com.tr</p>			Project: MRL_Senkron_Arcode_EN81-20	Sheet: 1
			Note:	Date: 30.11.2018



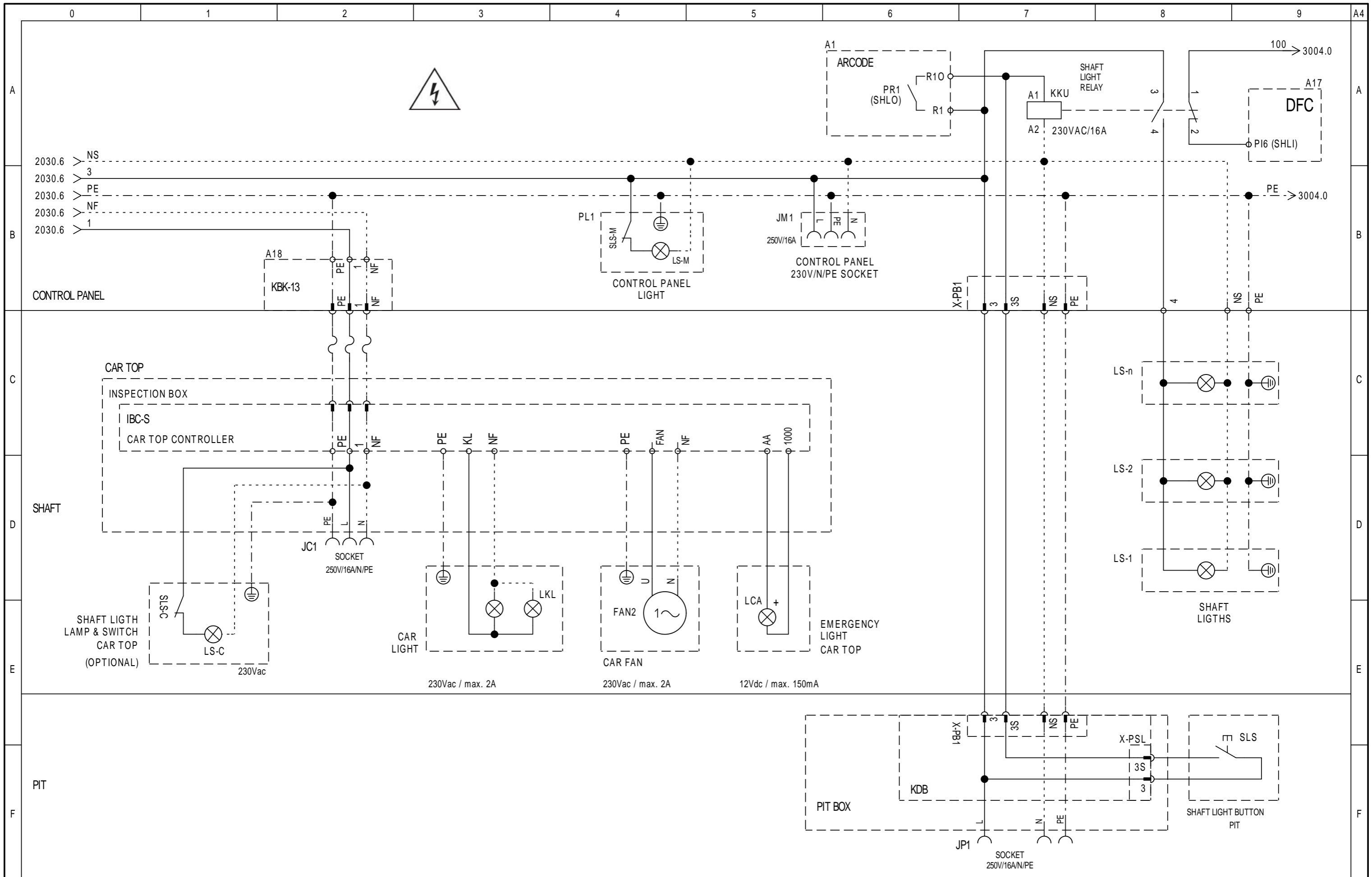
# ÖRNEKTİR/SAMPLE



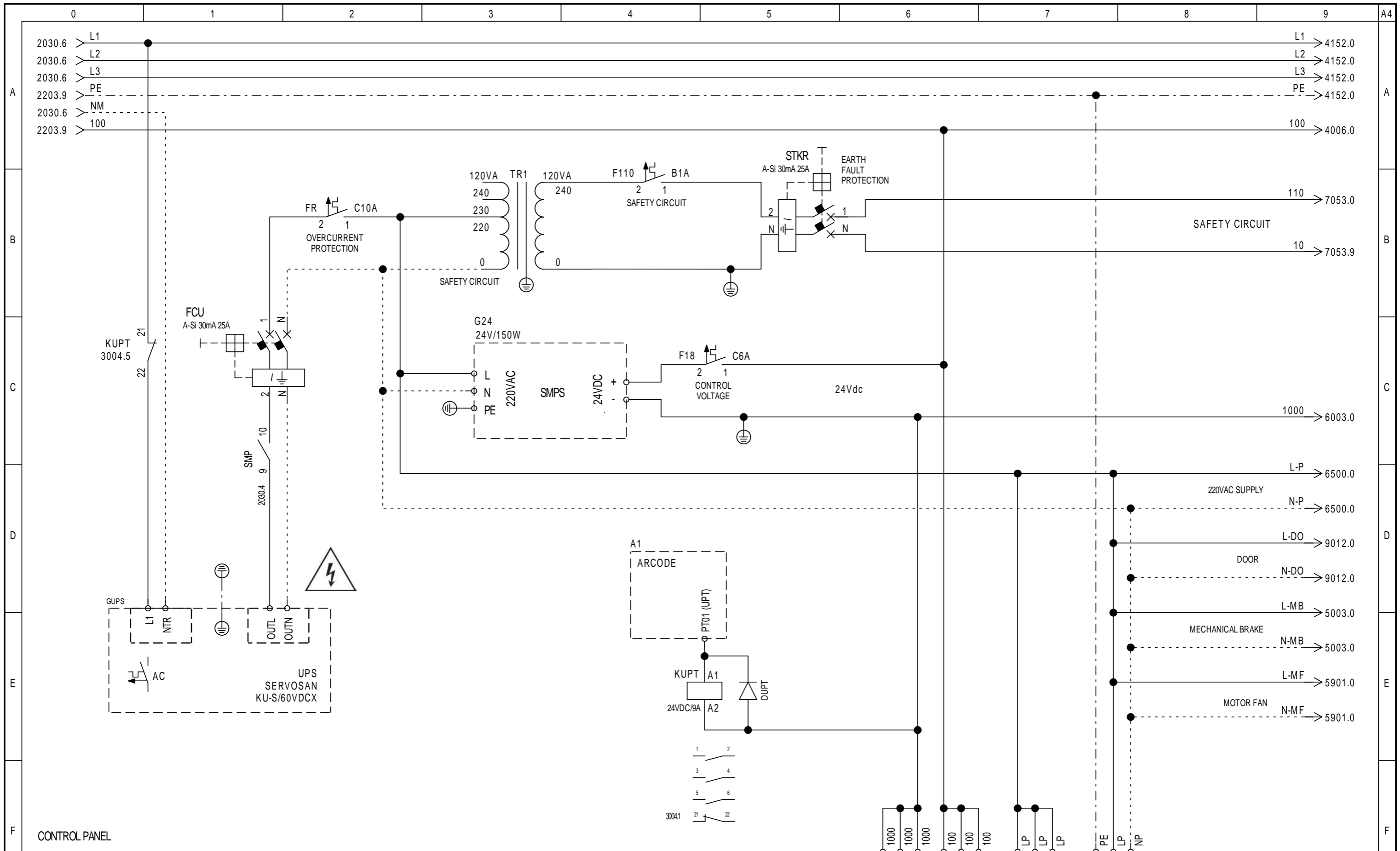
# ÖRNEKTİR/SAMPLE



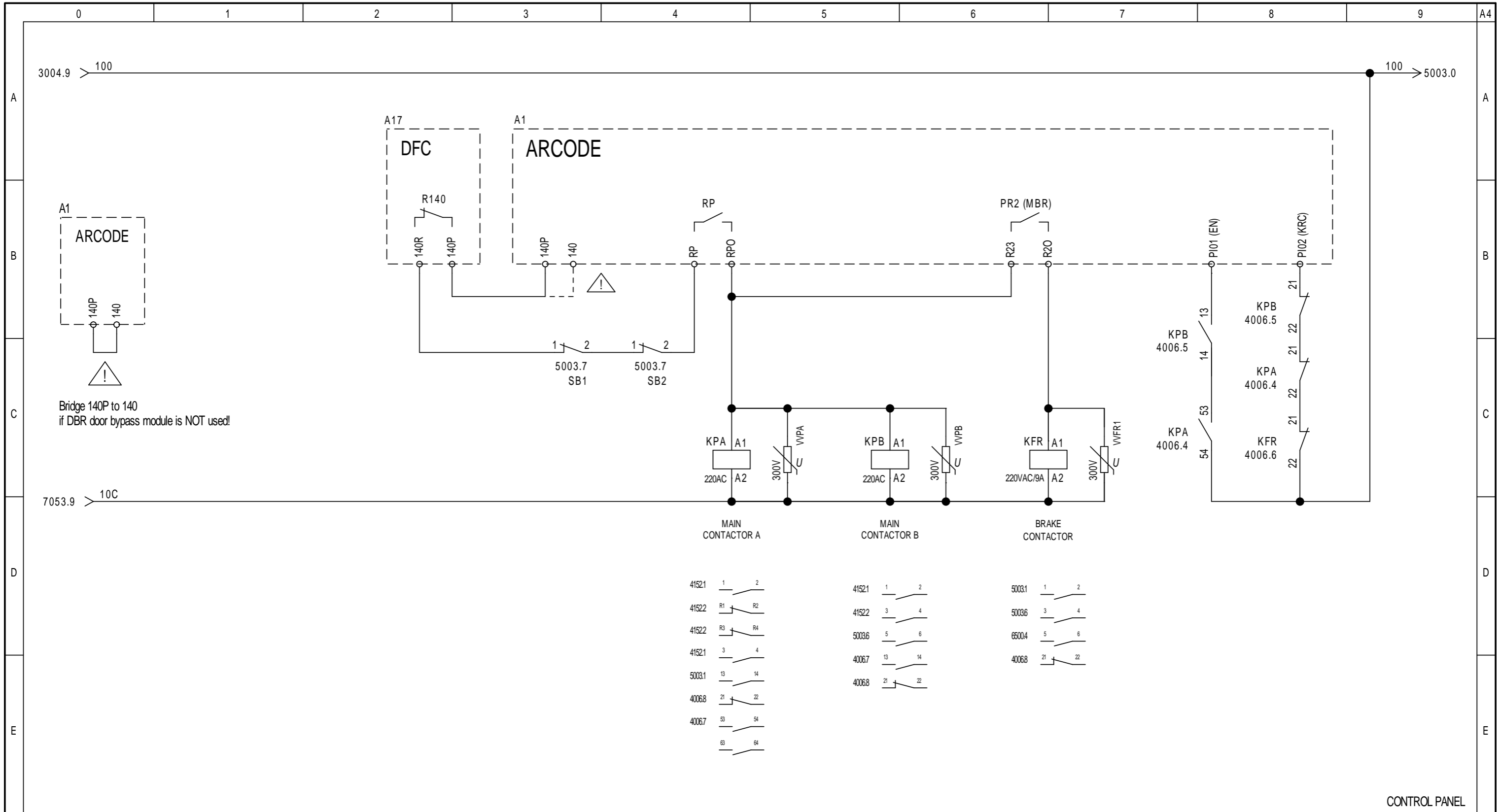
# ÖRNEKTİR/SAMPLE



# ÖRNEKTİR/SAMPLE

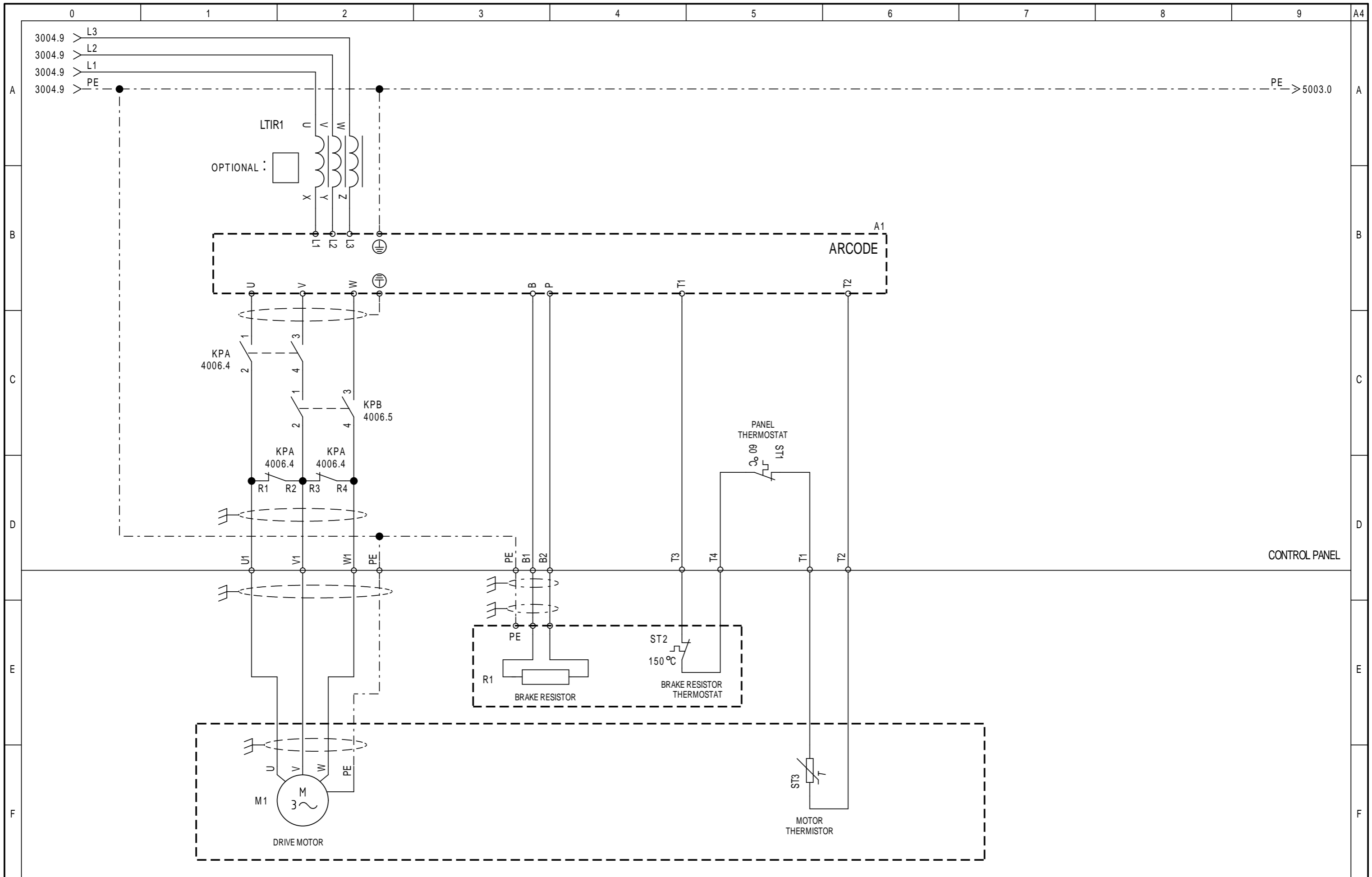


# ÖRNEKTİR/SAMPLE

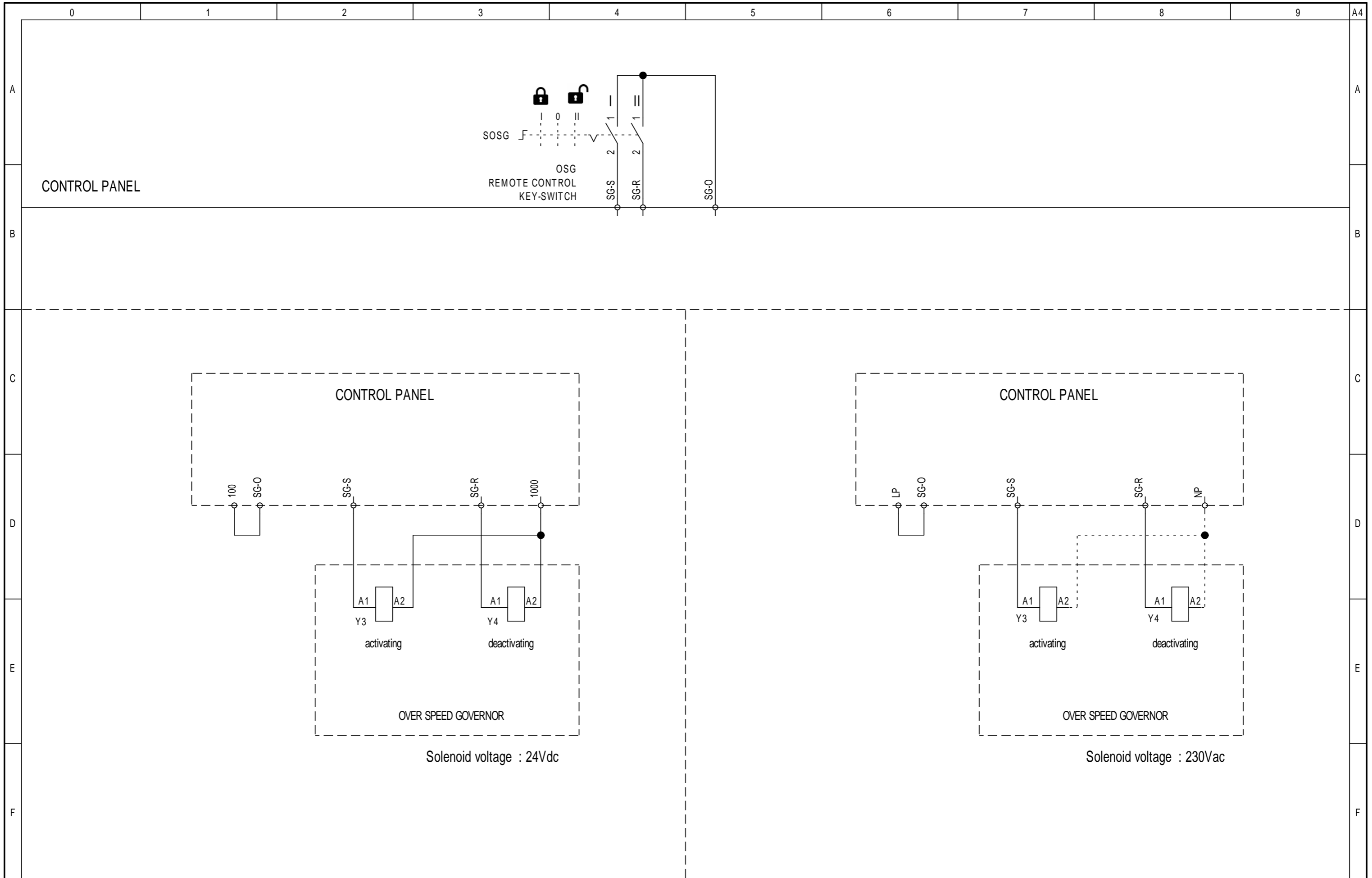




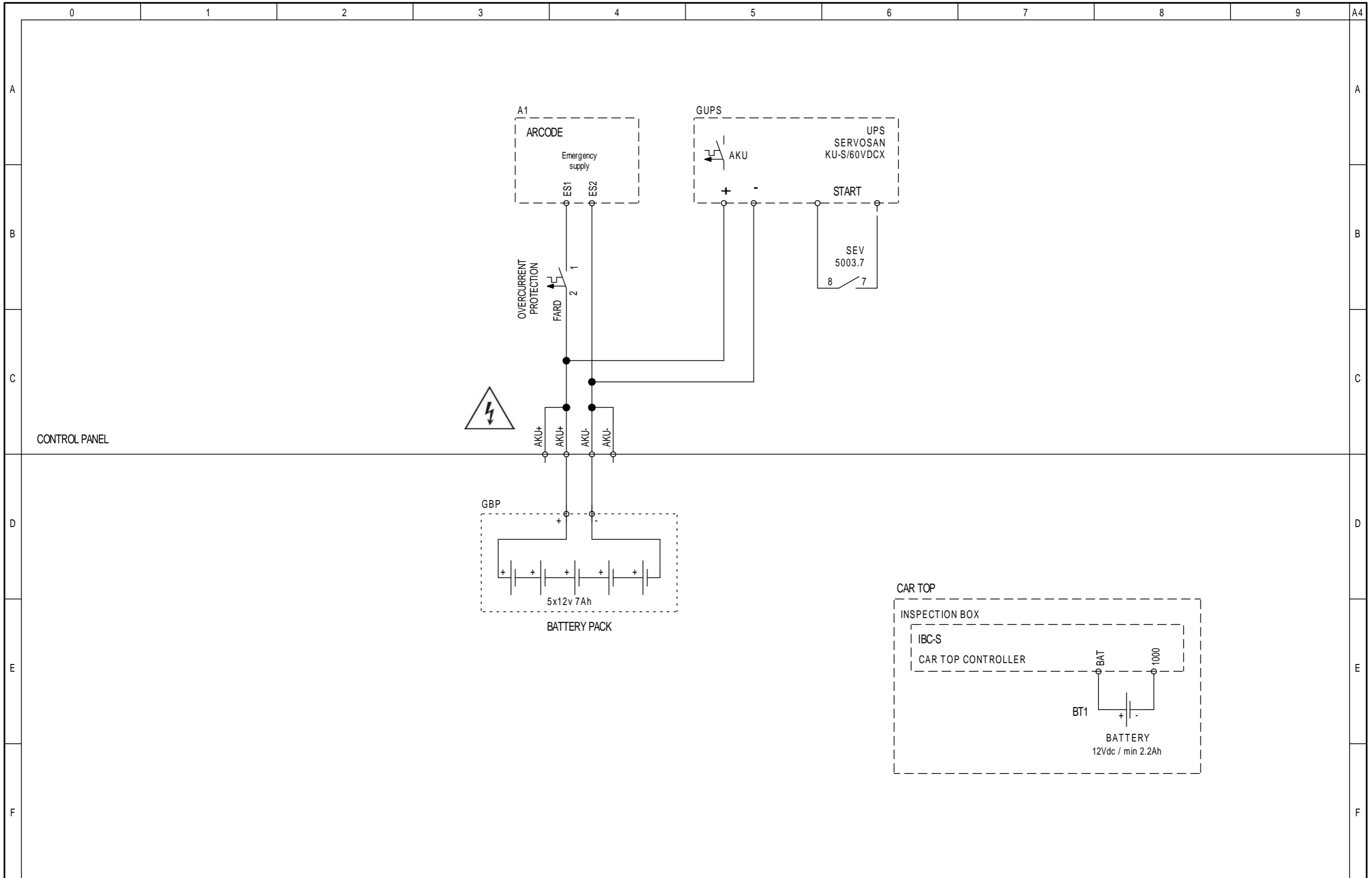
# ÖRNEKTİR/SAMPLE



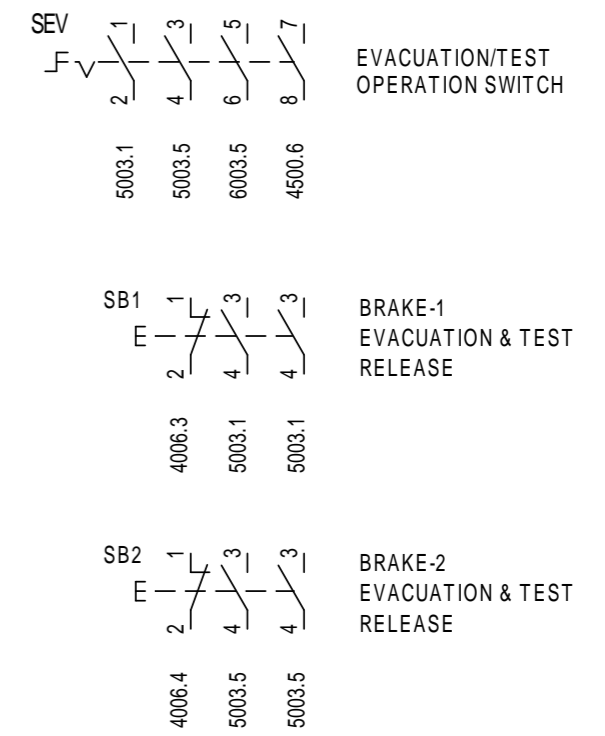
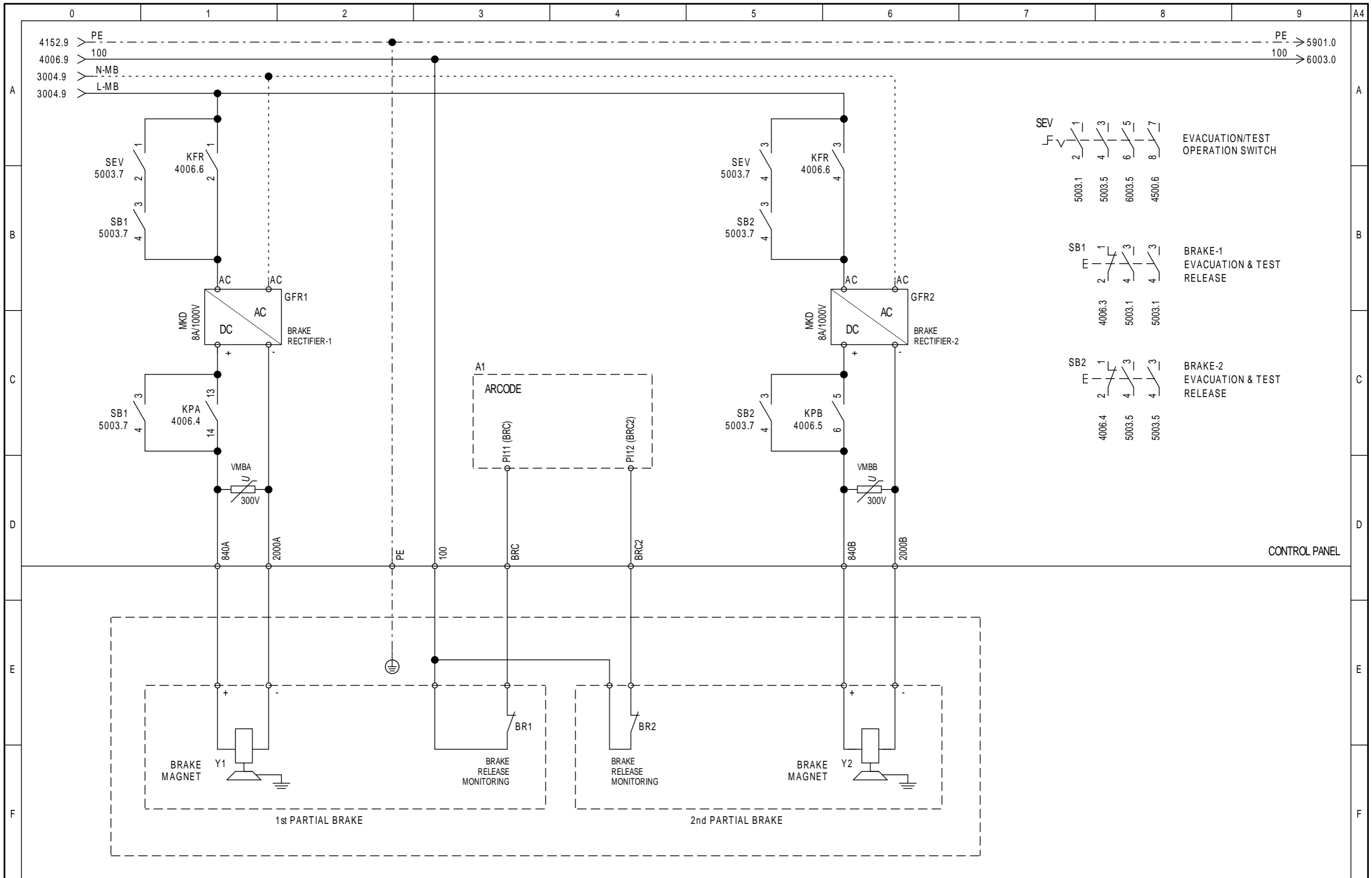
# ÖRNEKTİR/SAMPLE



# ÖRNEKTİR/SAMPLE

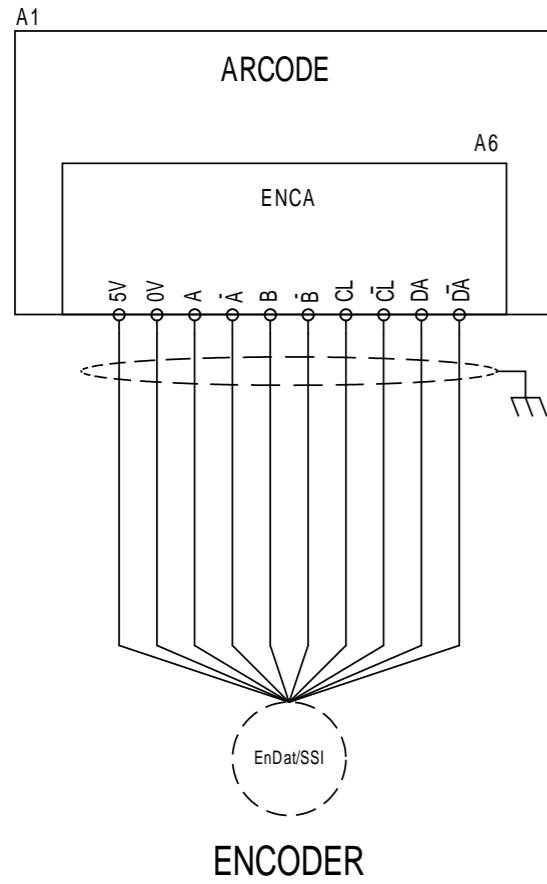


# ÖRNEKTİR/SAMPLE

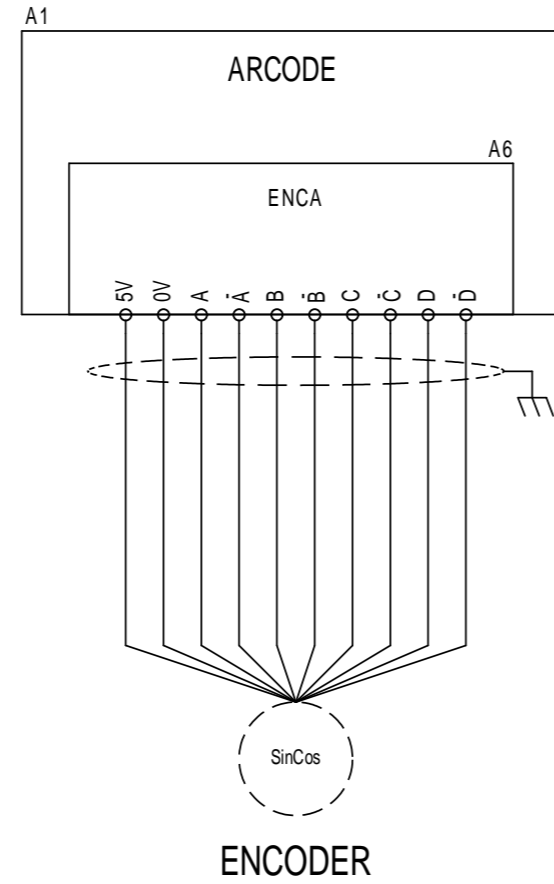


# ÖRNEKTİR/SAMPLE

## EnDat / SSI ABSOLUTE ENCODER CONNECTION

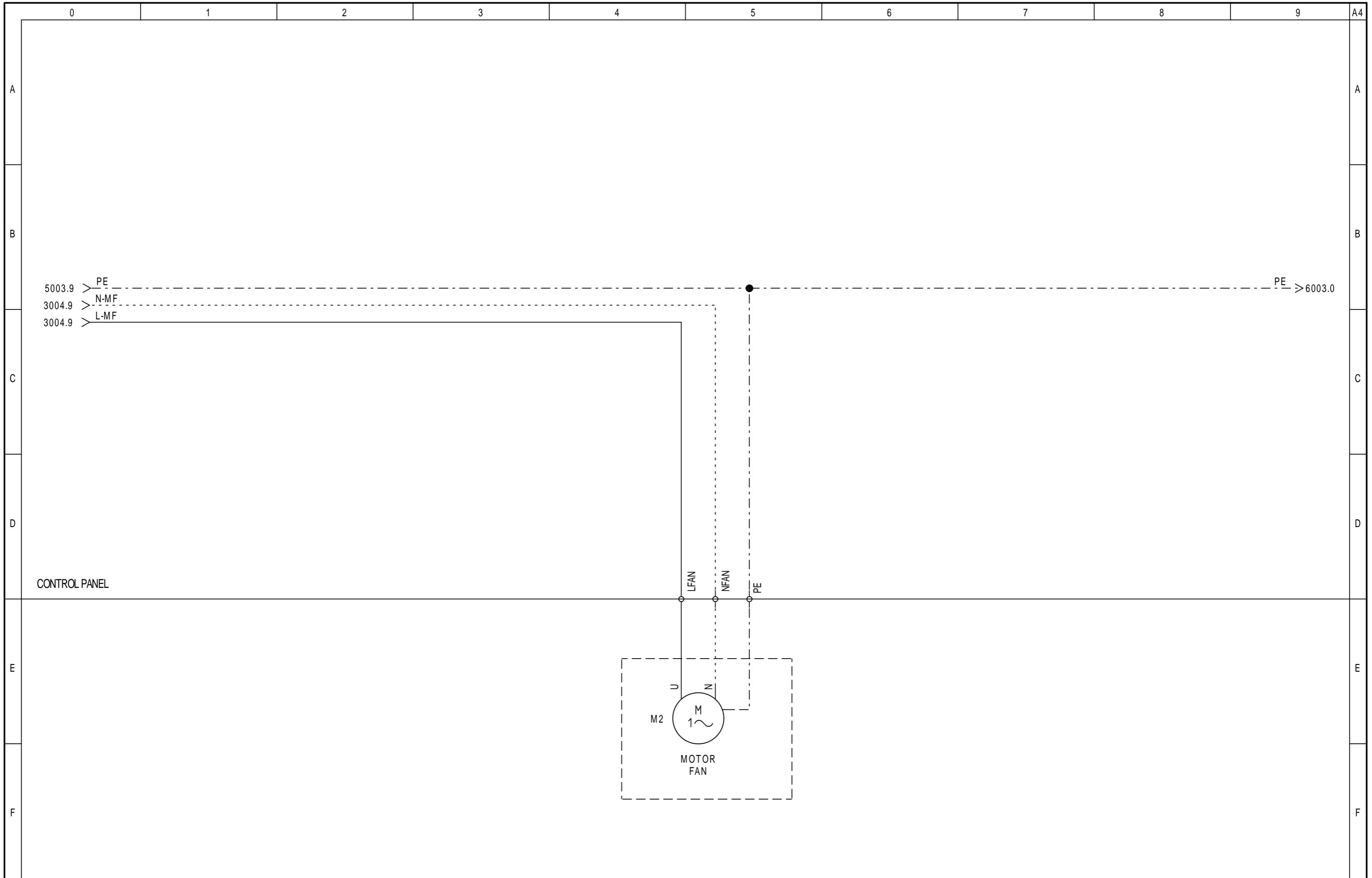


## SinCos ABSOLUTE ENCODER CONNECTION

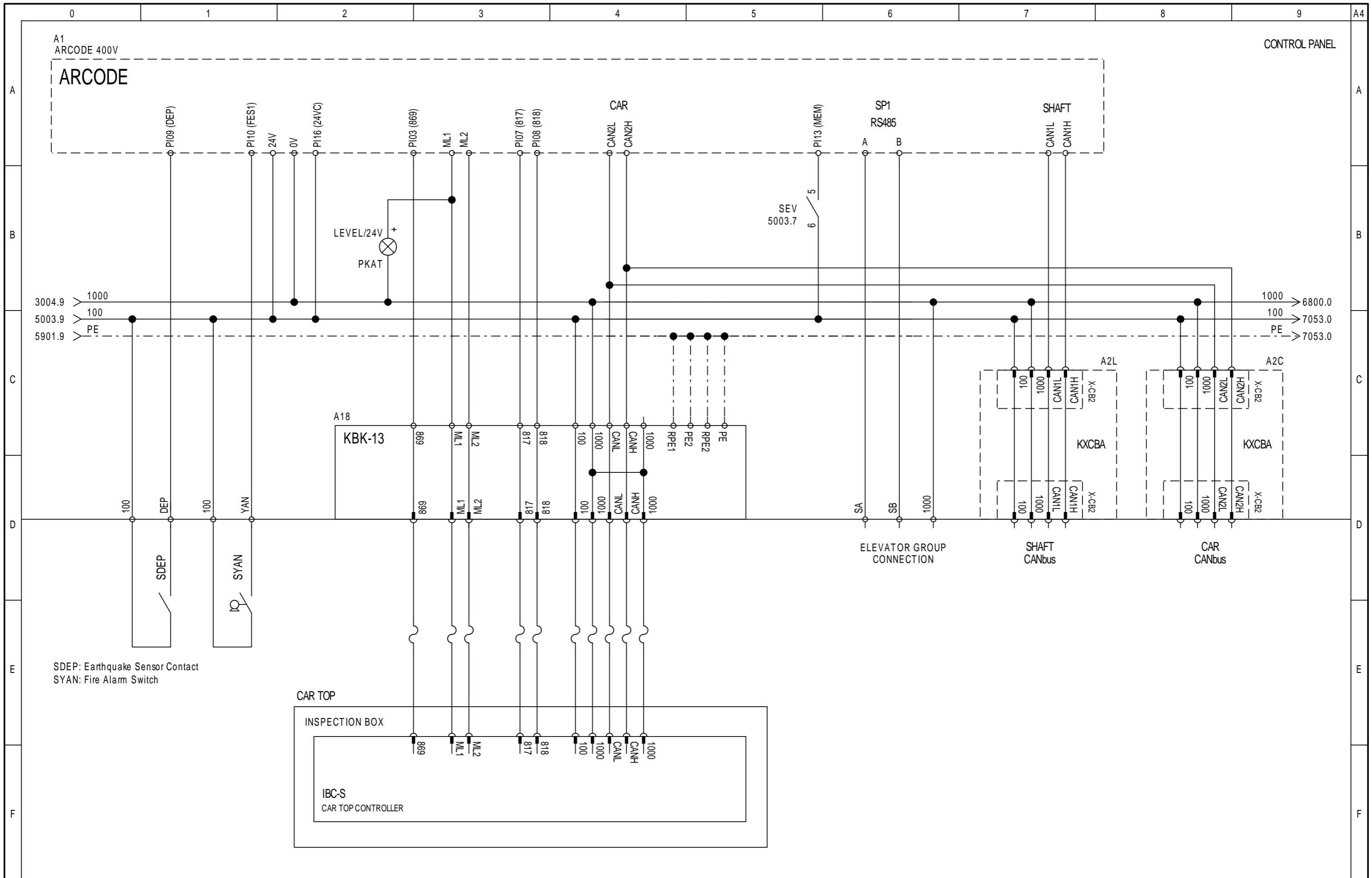


ARCODE ENCA	Absolute encoder pin assignment	
	EnDat (EnDat.SC) SSI (SSI.SC)	SinCos (SC.SC)
Encoder terminal strips		
A	A green/black	A green/black
A-bar	A-bar yellow/black	A-bar yellow/black
B	B blue/black	B blue/black
B-bar	B-bar red/black	B-bar red/black
DA	Data + gray	
DA-bar	Data - pink	
CL	Clock + violet	
CL-bar	Clock - yellow	
C		C violet
C-bar		C-bar yellow
D		D gray
D-bar		D-bar pink
5V	5V (U <sub>p</sub> ) brown/green 5V (Sensor) black	5V (U <sub>p</sub> ) brown/green 5V (Sensor) black
0V	0V (U <sub>N</sub> ) white/green 0V (Sensor) white	0V (U <sub>N</sub> ) white/green 0V (Sensor) white

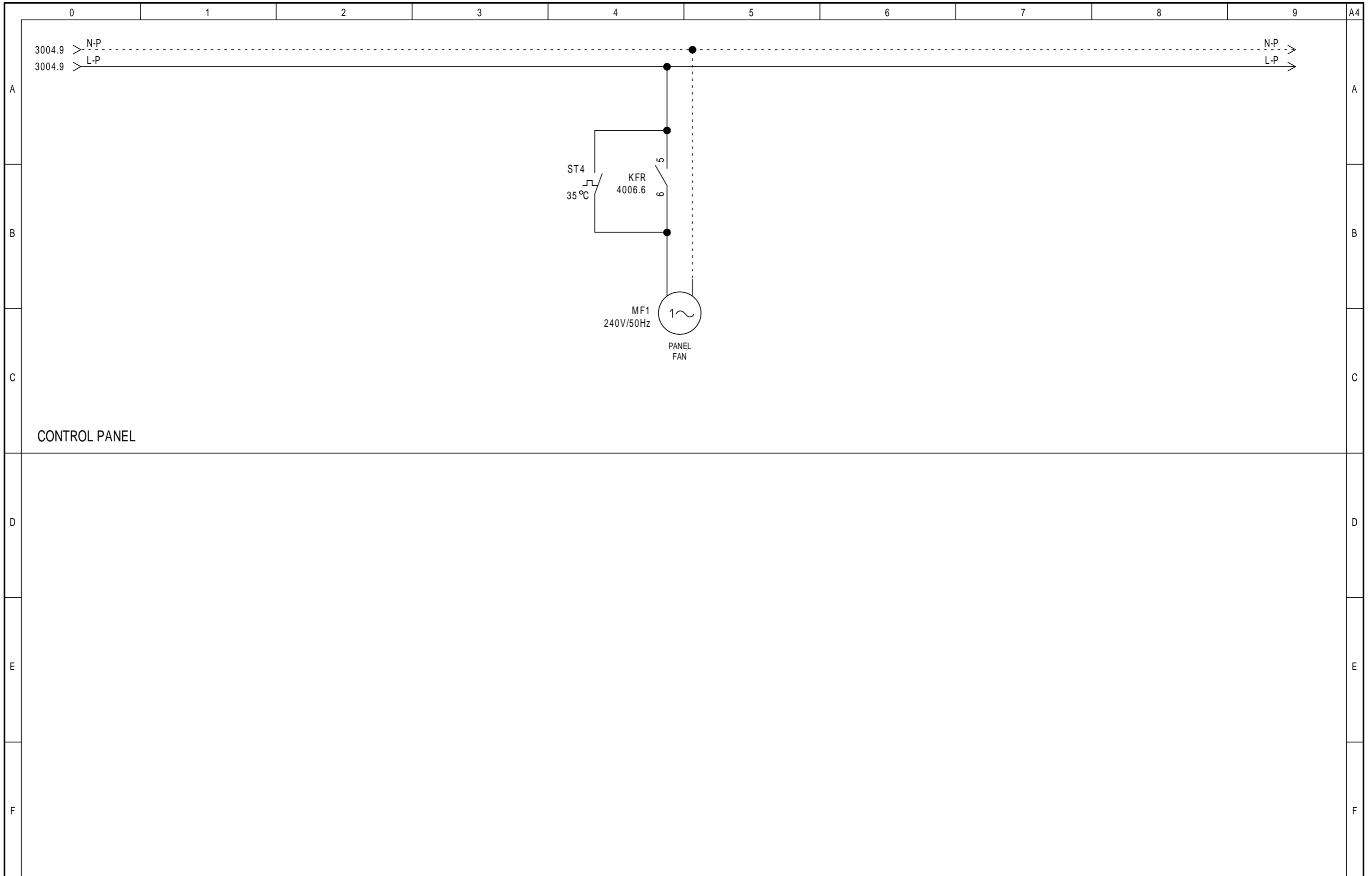
# ÖRNEKTİR/SAMPLE



# ÖRNEKTİR/SAMPLE



# ÖRNEKTİR/SAMPLE

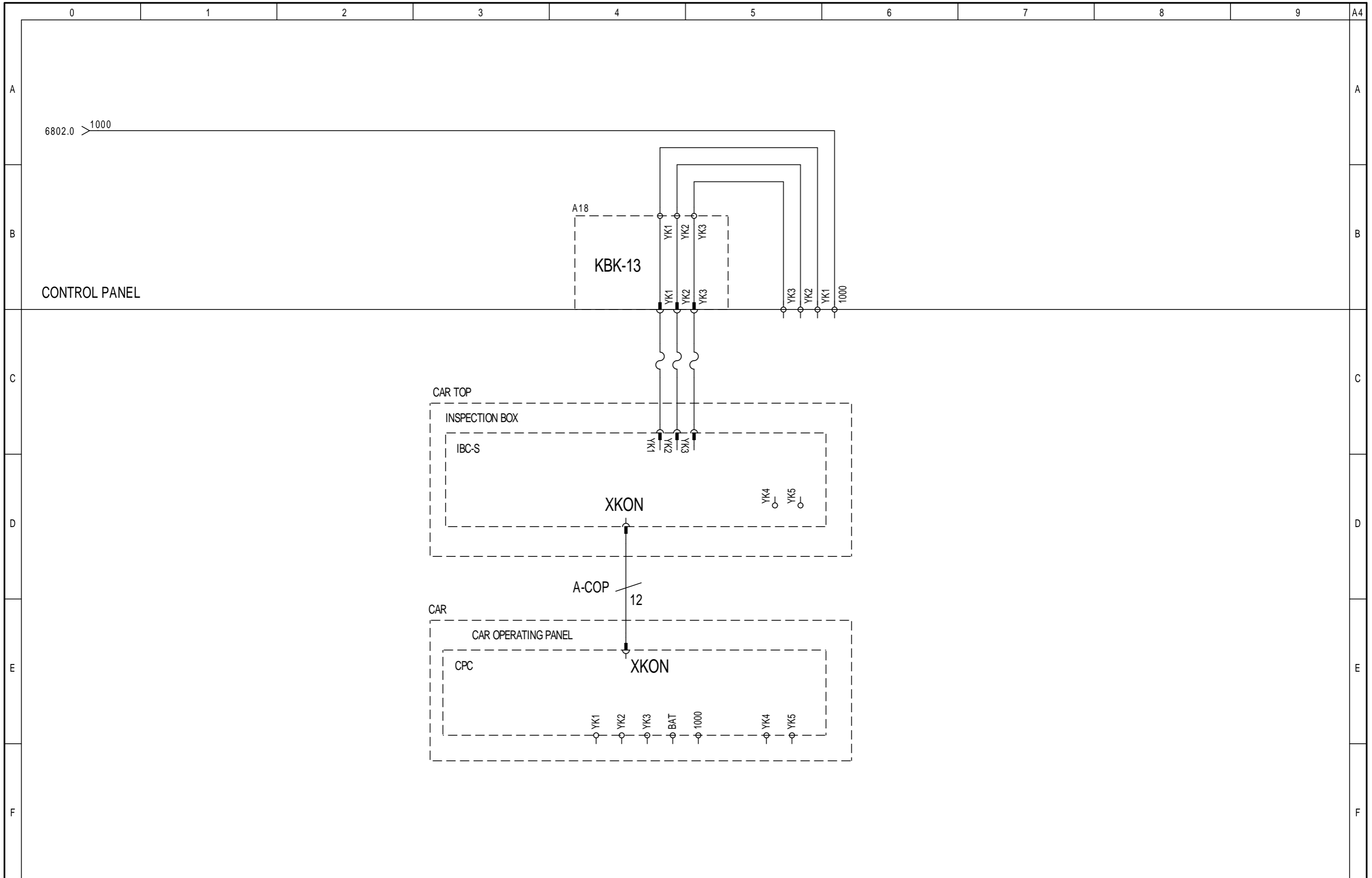


CONTROL PANEL

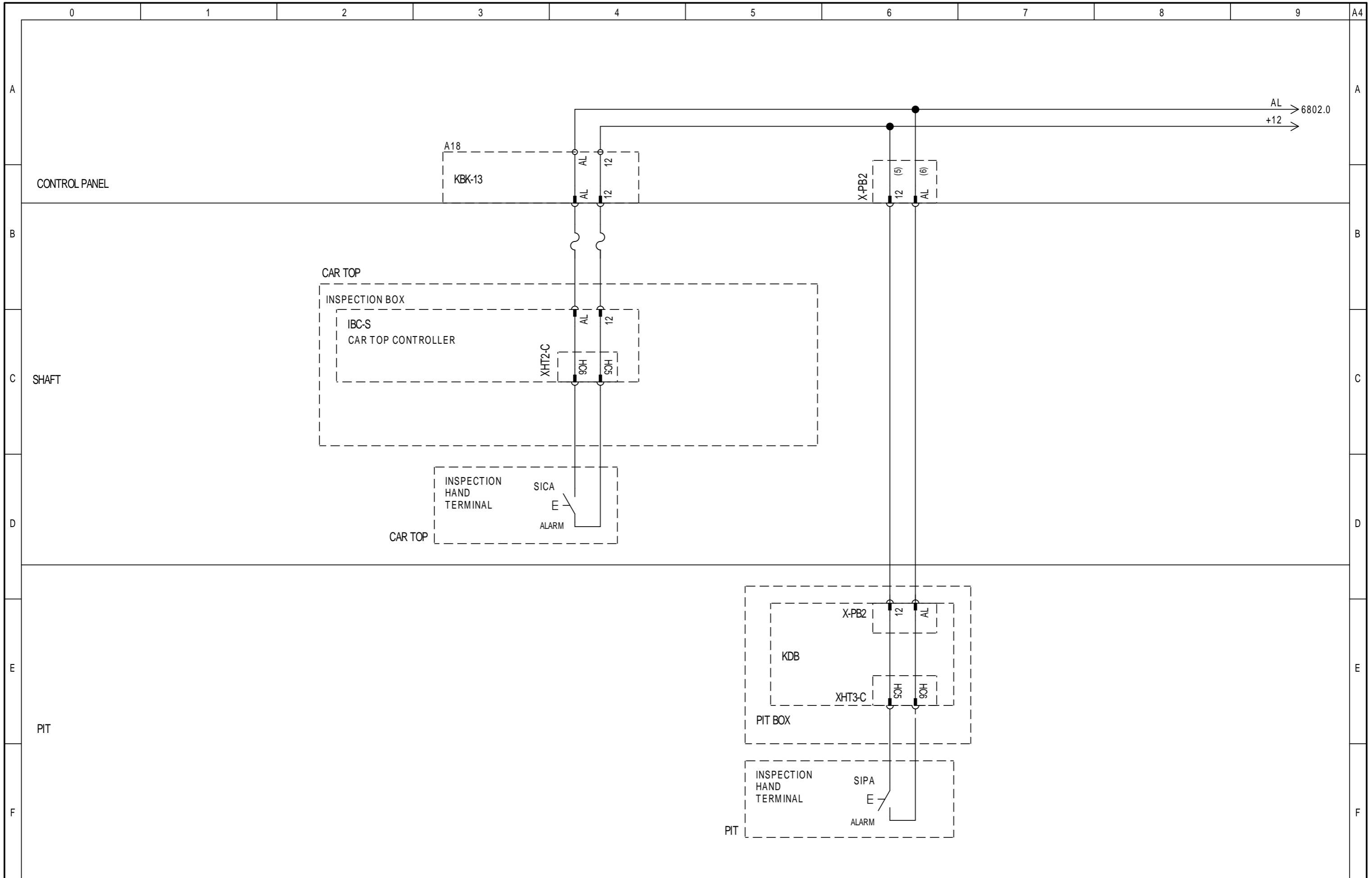
PANEL FAN



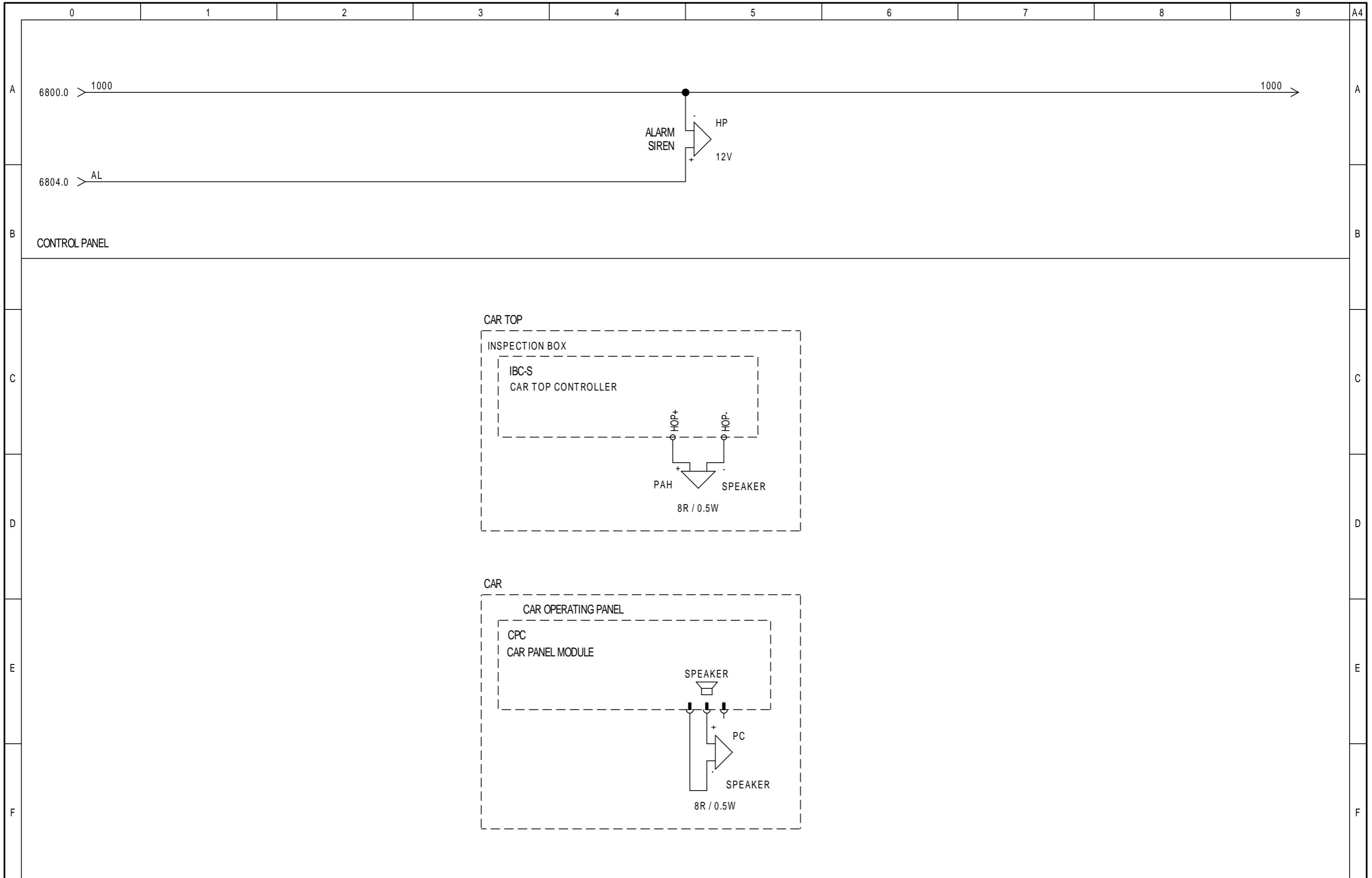
# ÖRNEKTİR/SAMPLE



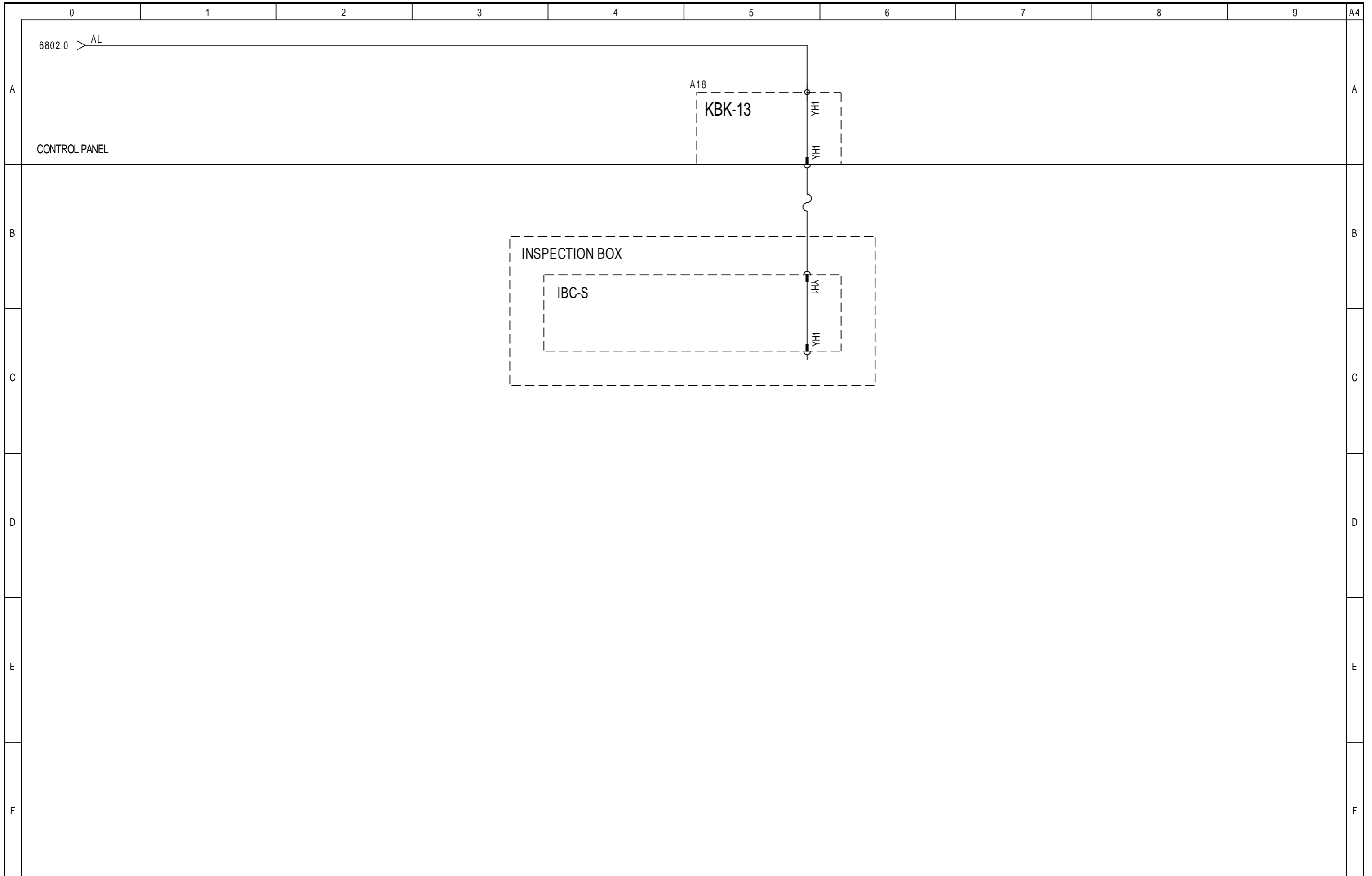
# ÖRNEKTİR/SAMPLE



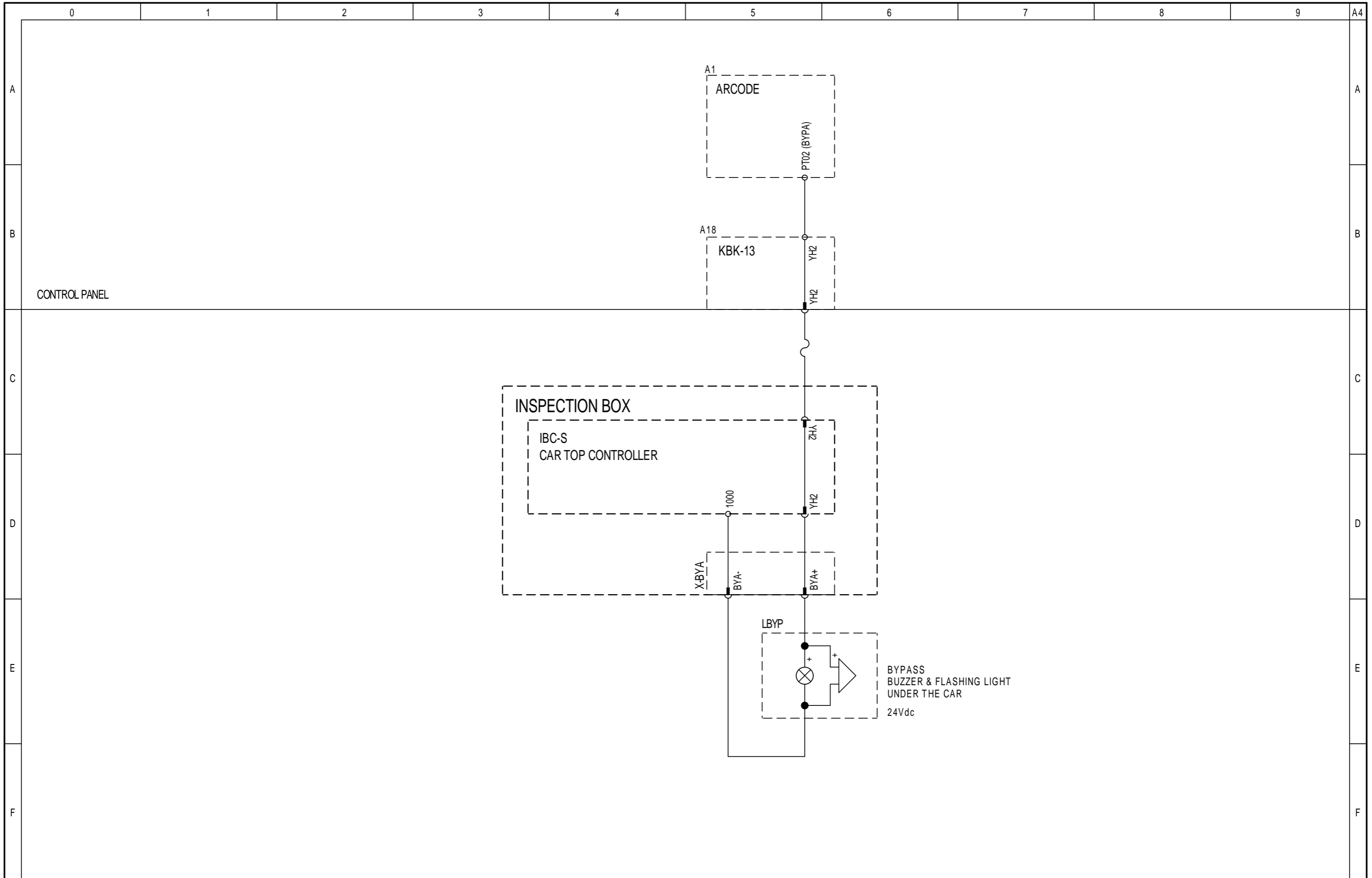
# ÖRNEKTİR/SAMPLE



# ÖRNEKTİR/SAMPLE

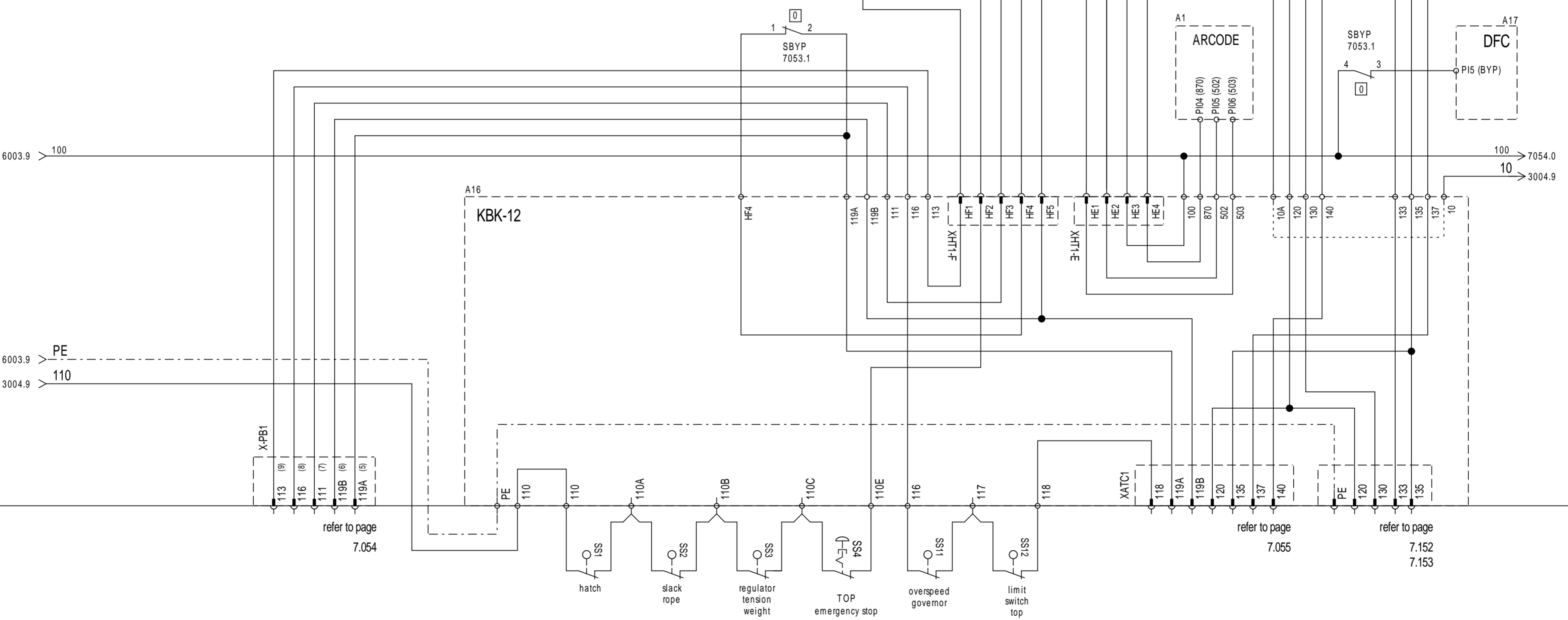
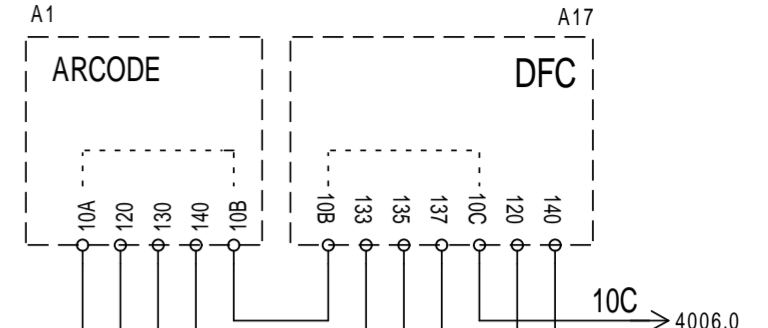
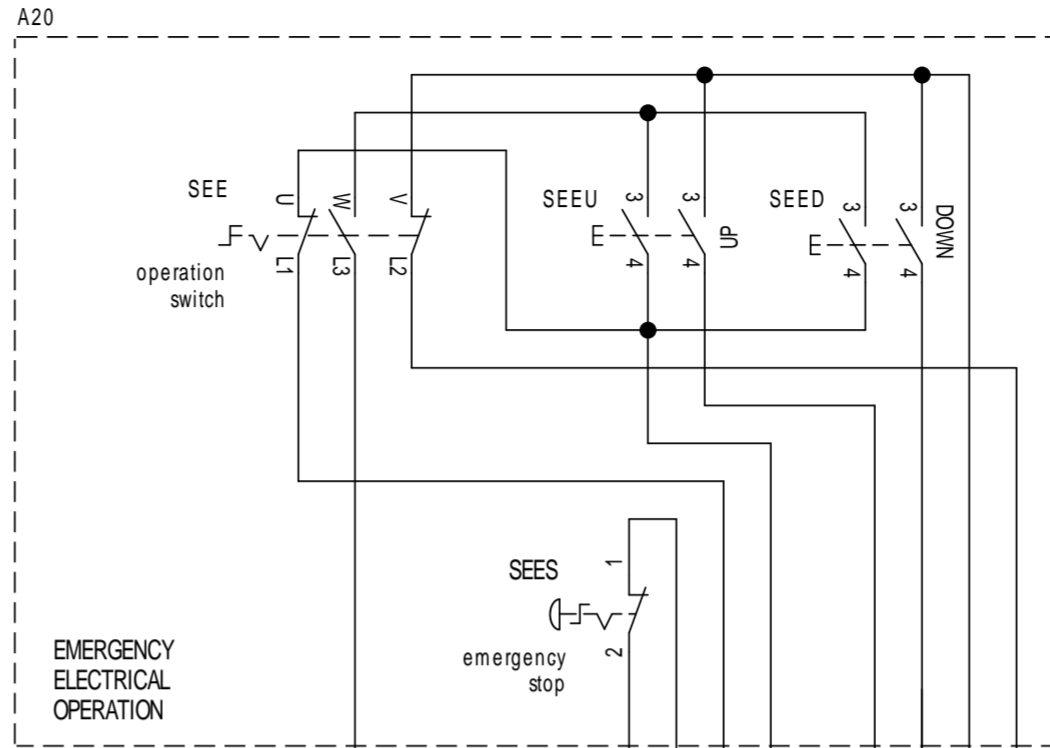
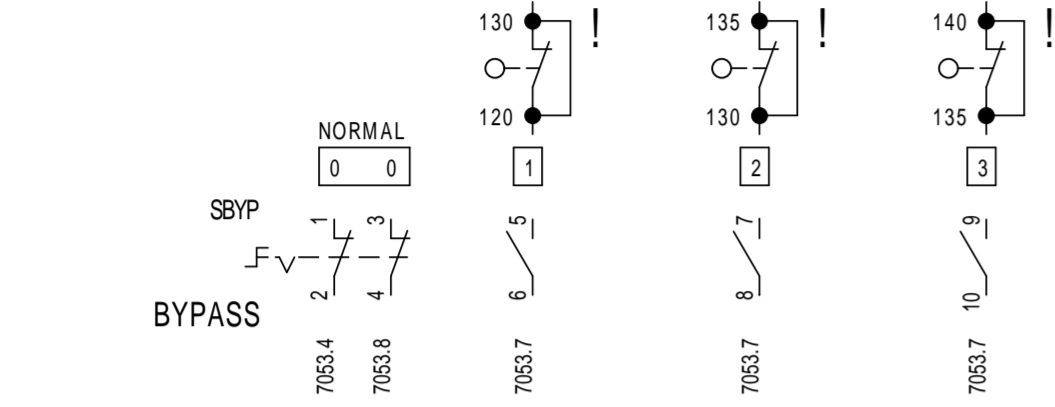


# ÖRNEKTİR/SAMPLE



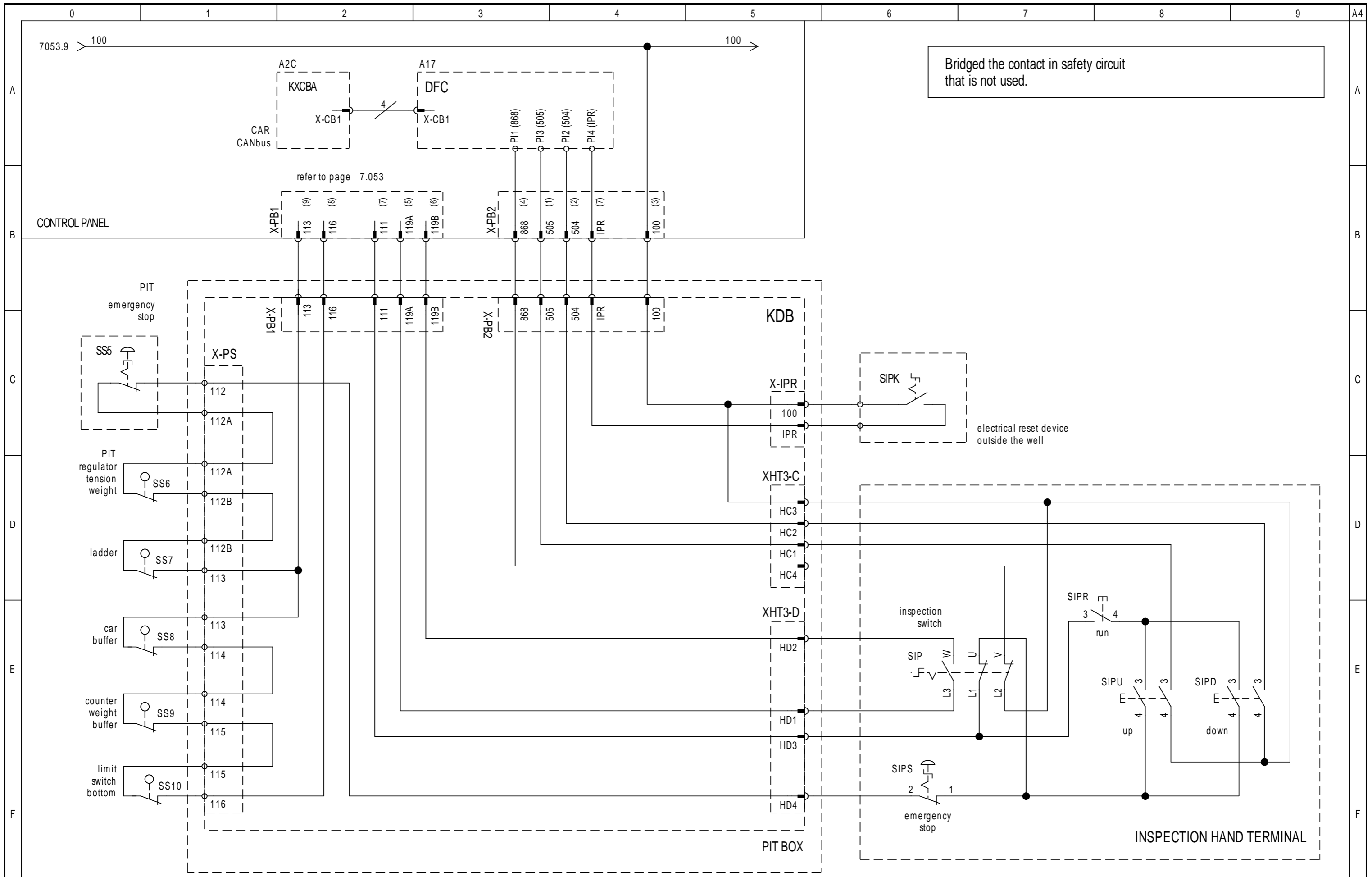
# ÖRNEKTİR/SAMPLE

## CONTROL PANEL

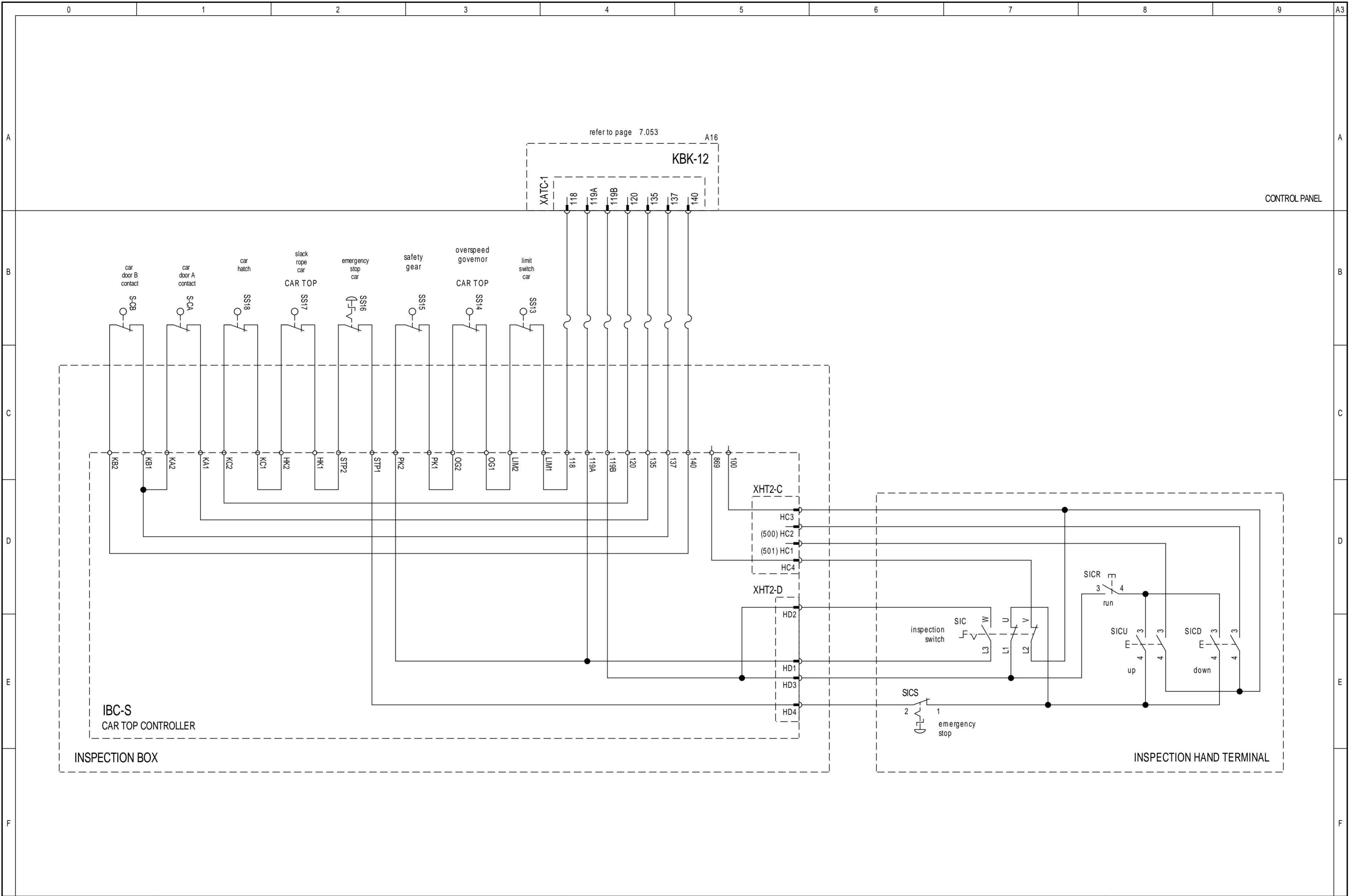


Bridged the contact in safety circuit that is not used.

# ÖRNEKTİR/SAMPLE

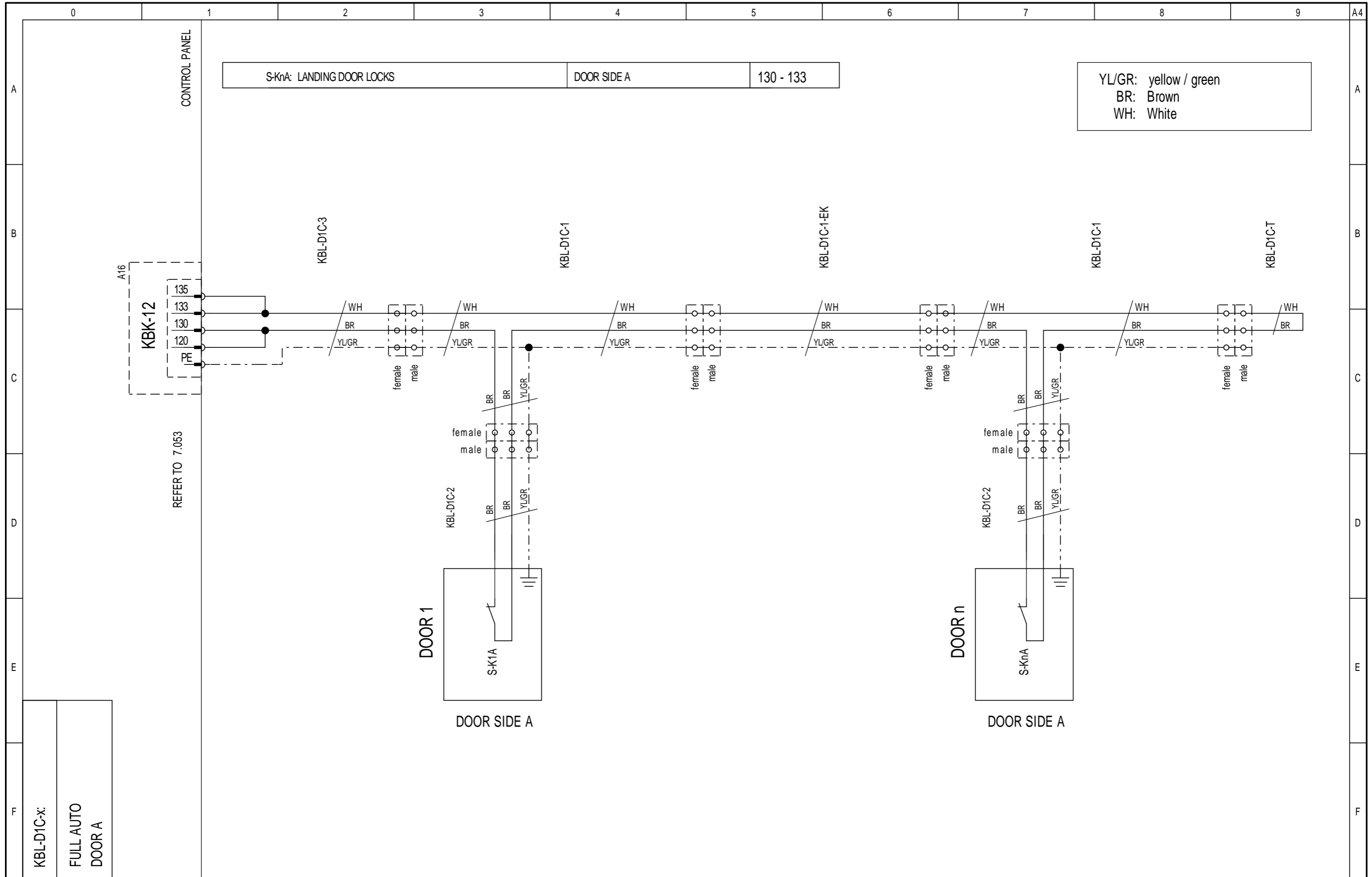


# ÖRNEKTİR/SAMPLE



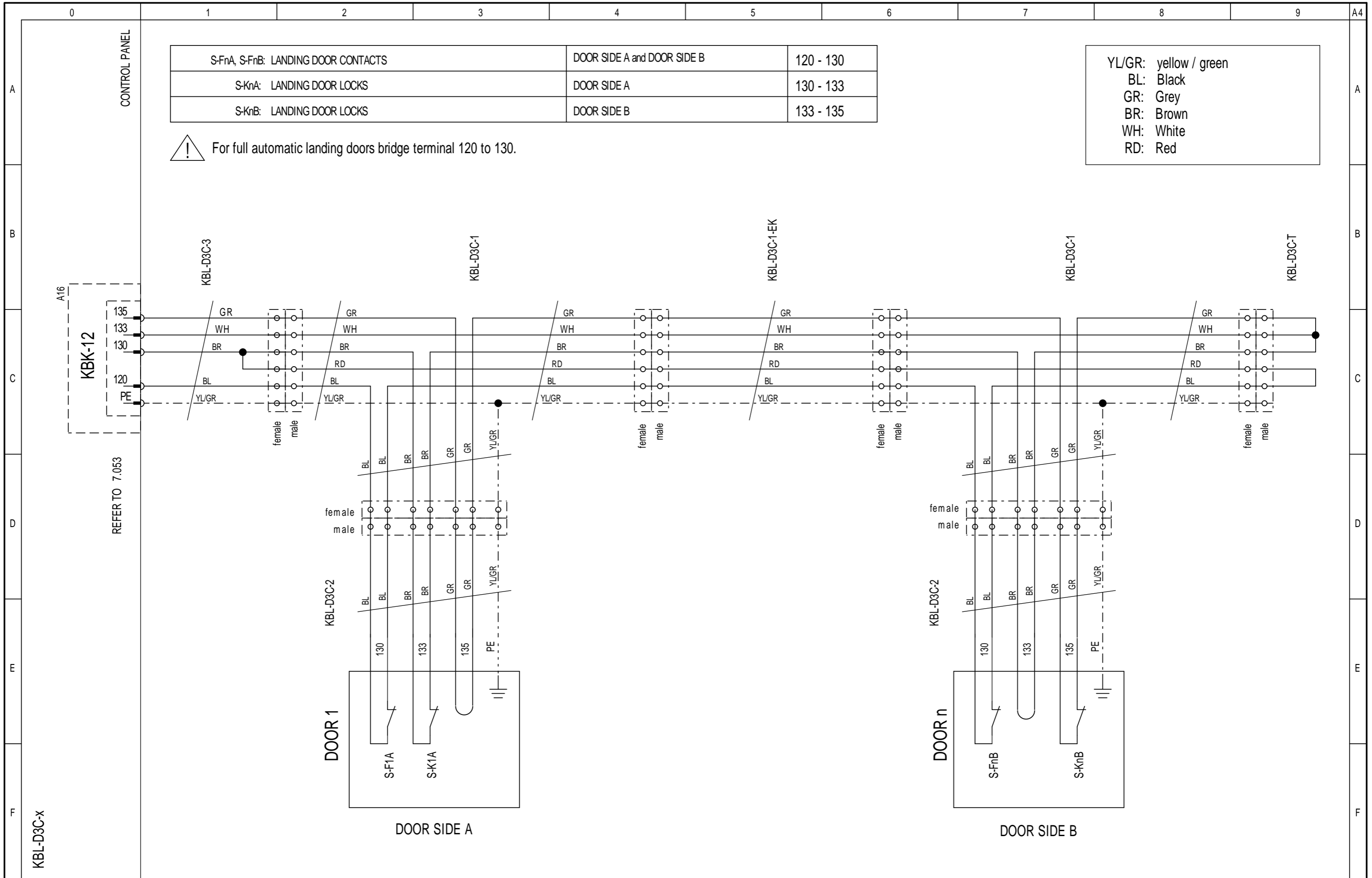


# ÖRNEKTİR/SAMPLE



KBL-D1C-x:  
FULL AUTO  
DOOR A

# ÖRNEKTİR/SAMPLE



S-FnA, S-FnB: LANDING DOOR CONTACTS	DOOR SIDE A and DOOR SIDE B	120 - 130
S-KnA: LANDING DOOR LOCKS	DOOR SIDE A	130 - 133
S-KnB: LANDING DOOR LOCKS	DOOR SIDE B	133 - 135

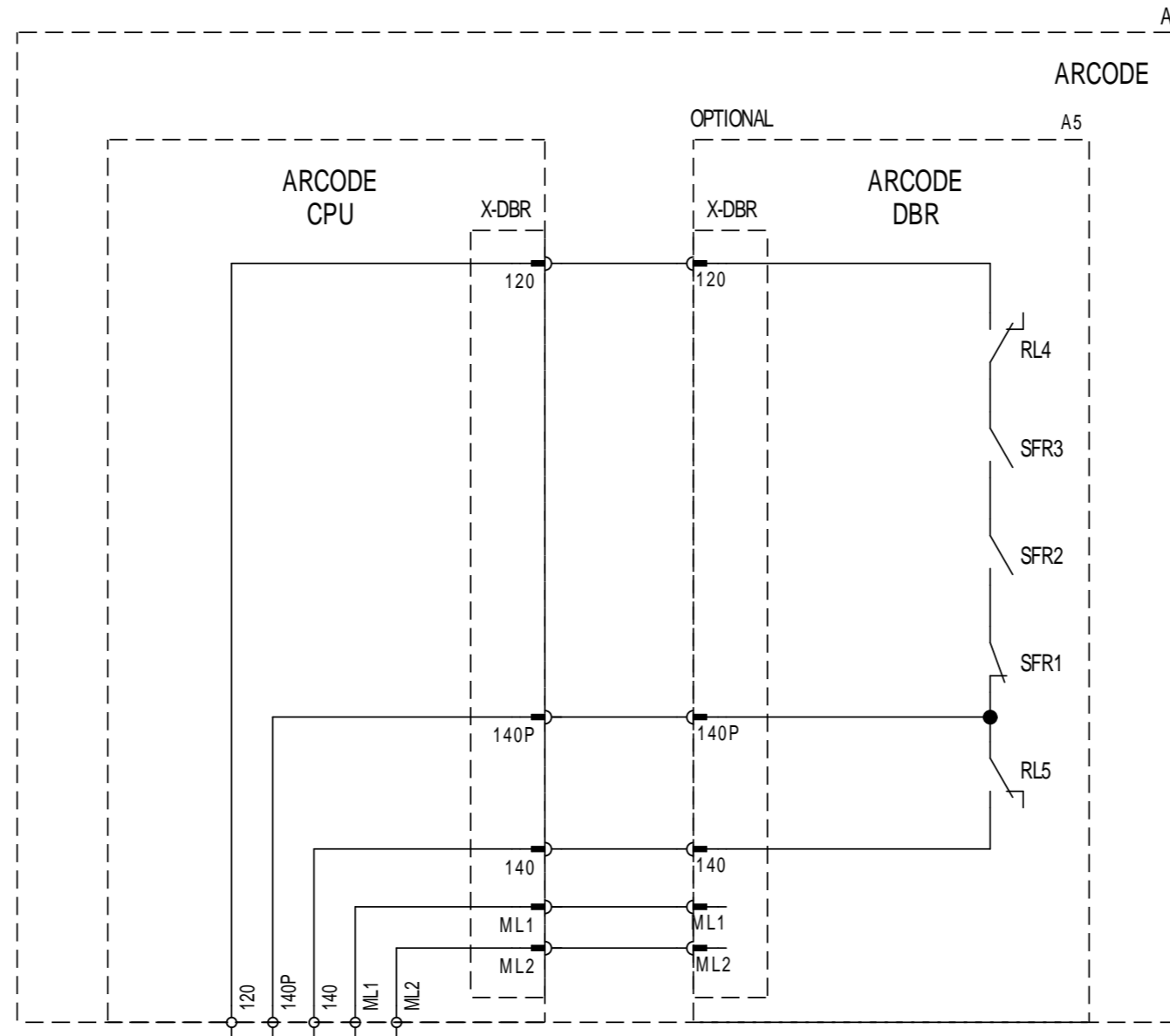
YL/GR:	yellow / green
BL:	Black
GR:	Grey
BR:	Brown
WH:	White
RD:	Red

⚠ For full automatic landing doors bridge terminal 120 to 130.

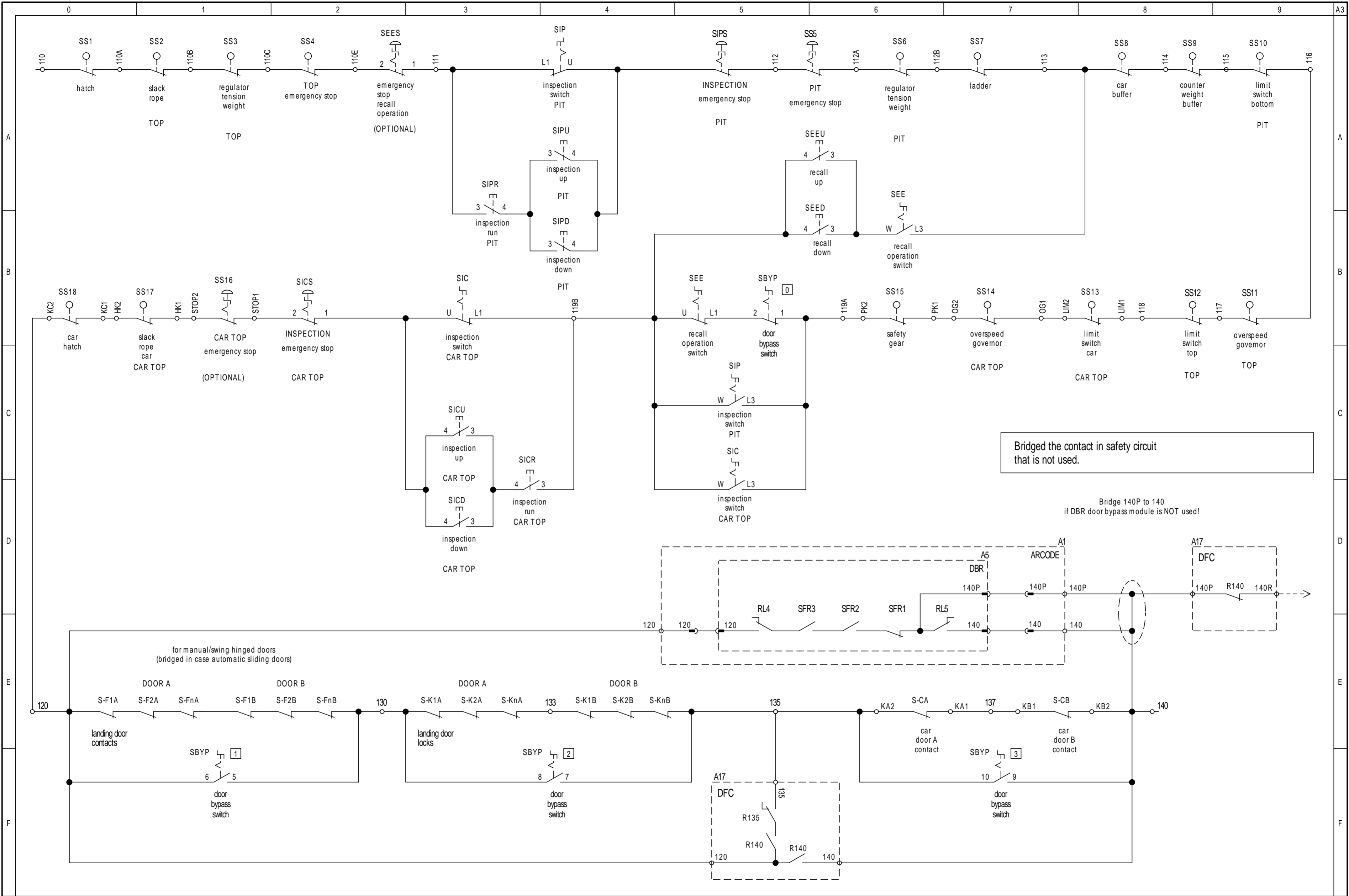
KBL-D3C-x

REFER TO 7.053

# ÖRNEKTİR/SAMPLE



# ÖRNEKTİR/SAMPLE



Bridged the contact in safety circuit that is not used.

Bridge 140P to 140 if DBR door bypass module is NOT used!

## DOOR CONTACT CABLE BRIDGING ON KBL-D3C-2

1. Bridging support has two holes (Fig.1)
2. Insert two cables into the holes of the bridging support (Fig.2)
3. Use pliers to tighten the cables after the conductive parts of cables are fitted into the bridging support (Fig. 3)
4. Be sure that all cables are fixed completely by pulling the cables (Fig. 4)



Fig.1



Fig.2

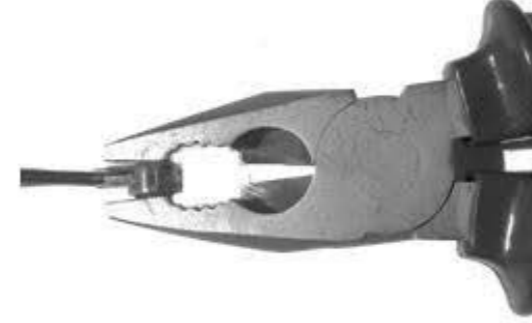
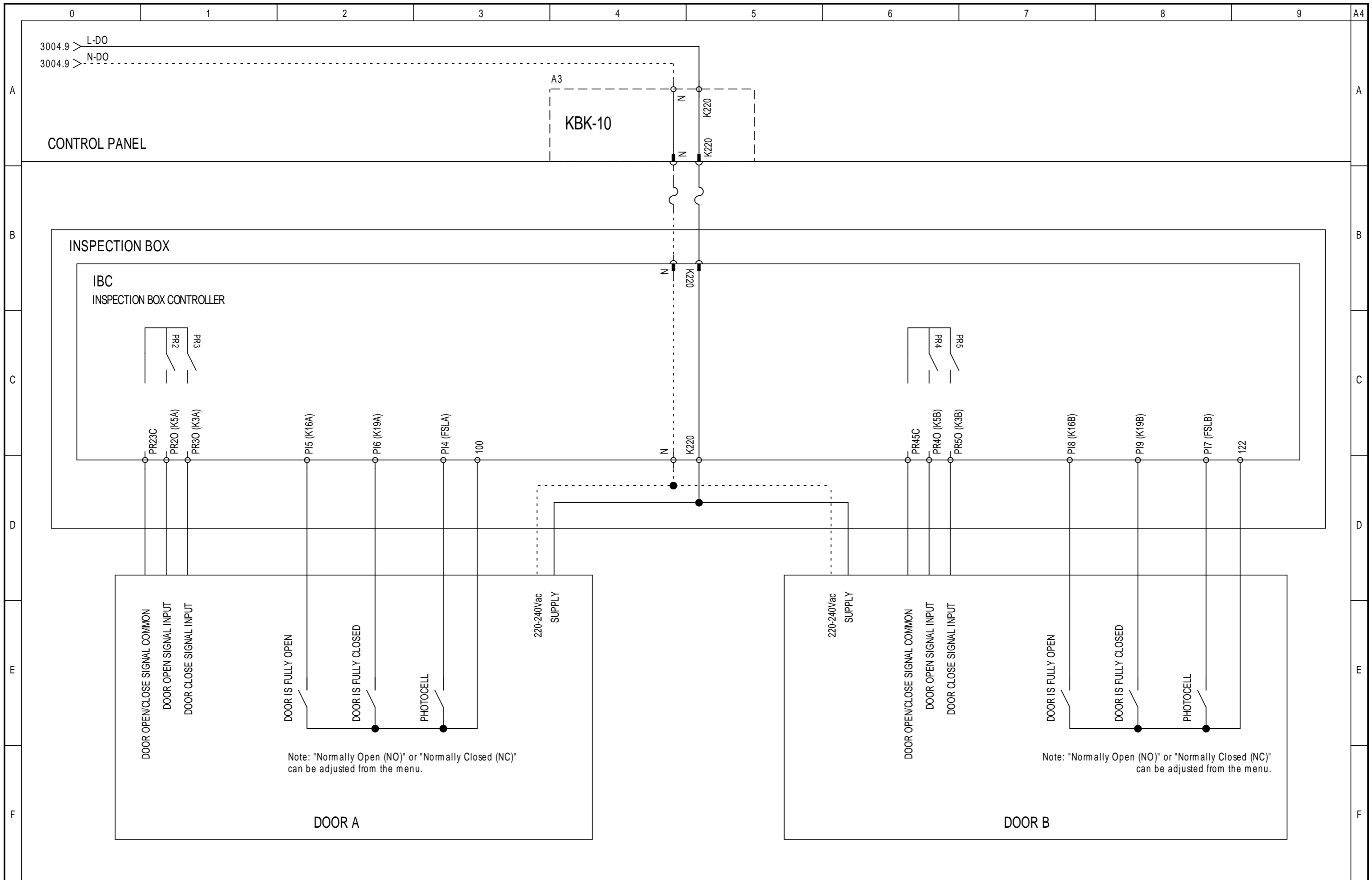


Fig.3

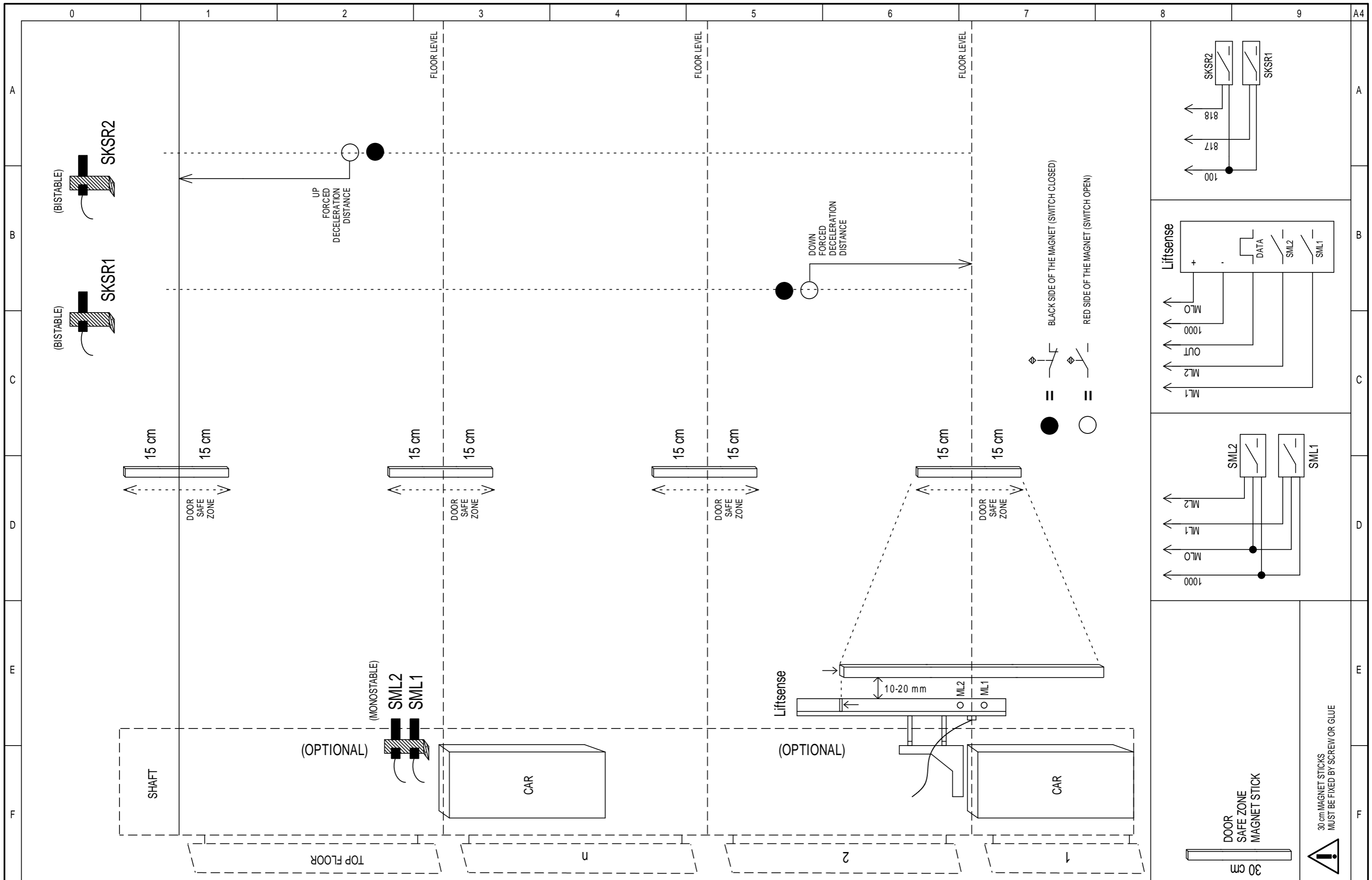


Fig.4

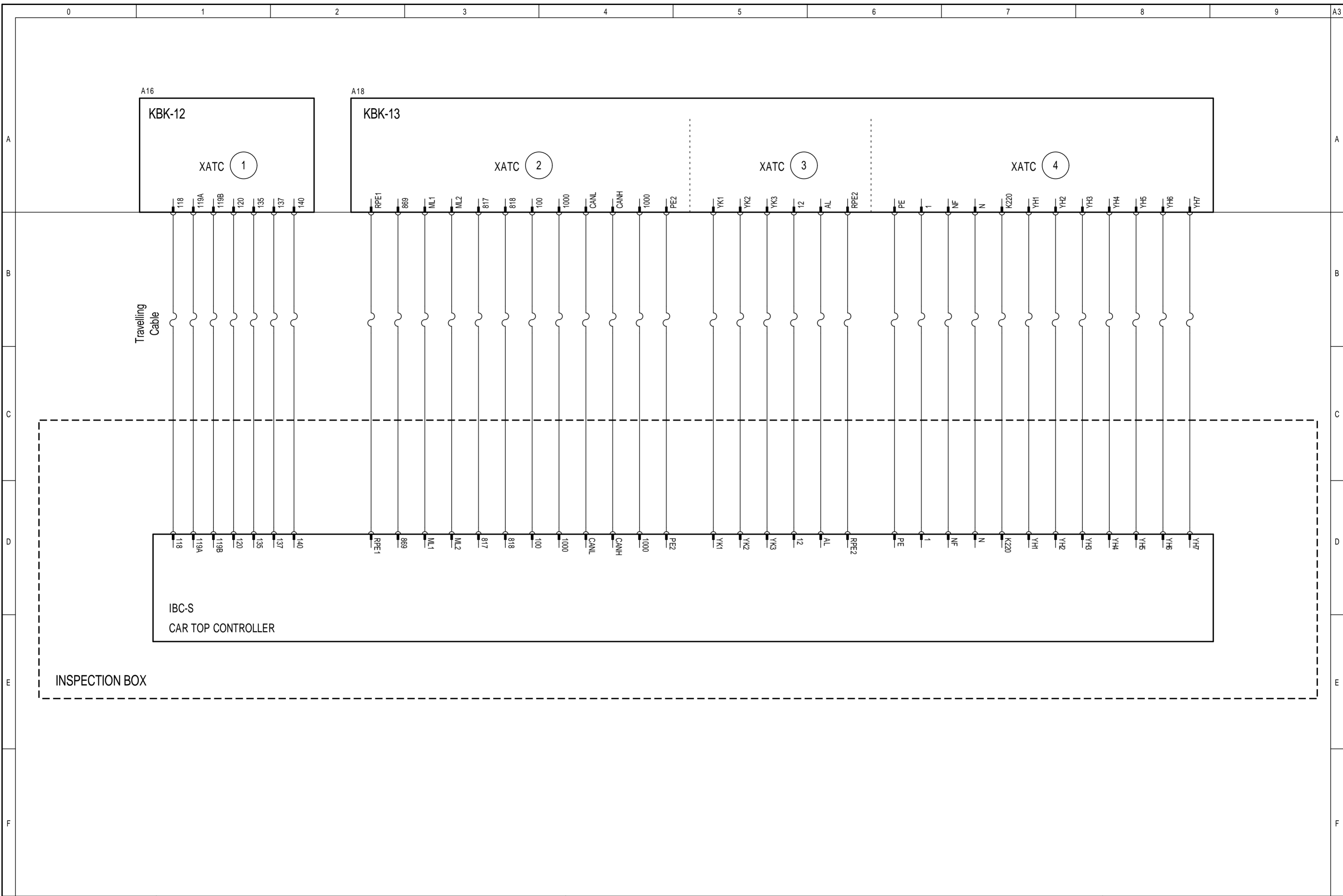
# ÖRNEKTİR/SAMPLE



# ÖRNEKTİR/SAMPLE

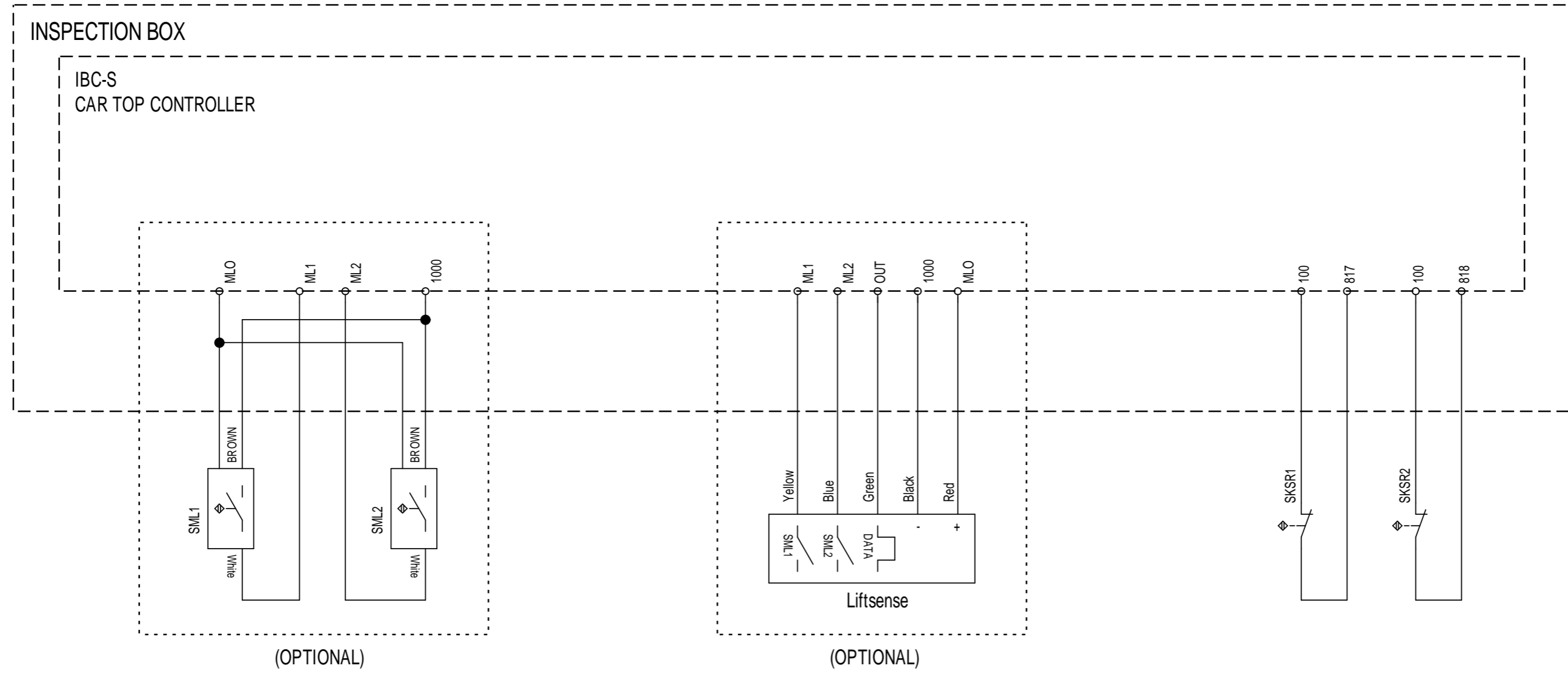


# ÖRNEKTİR/SAMPLE





# ÖRNEKTİR/SAMPLE

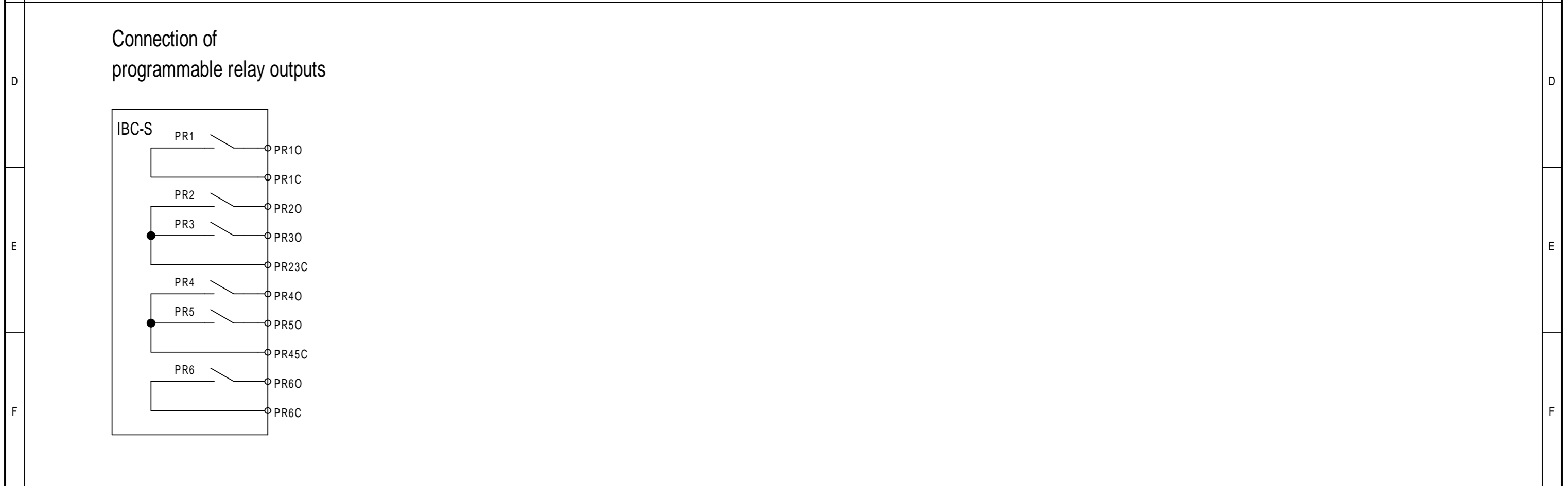
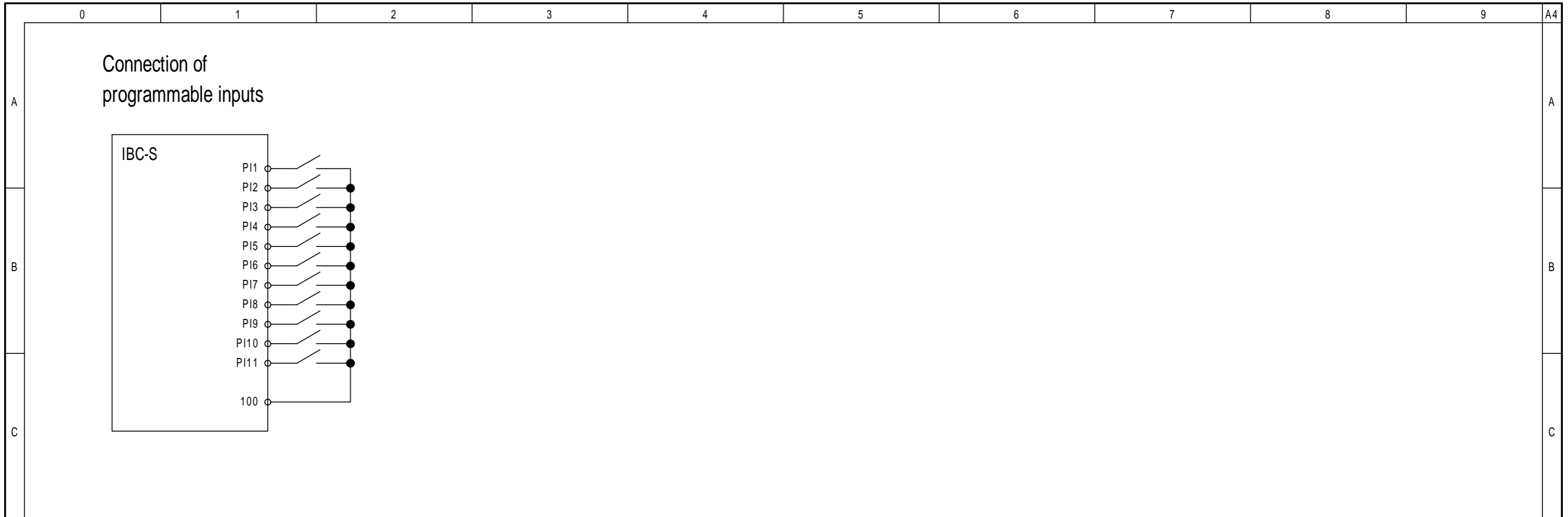


SML1: DOOR ZONE MAGNETIC SWITCH-1 (MONOSTABLE)  
SML2: DOOR ZONE MAGNETIC SWITCH-2 (MONOSTABLE)

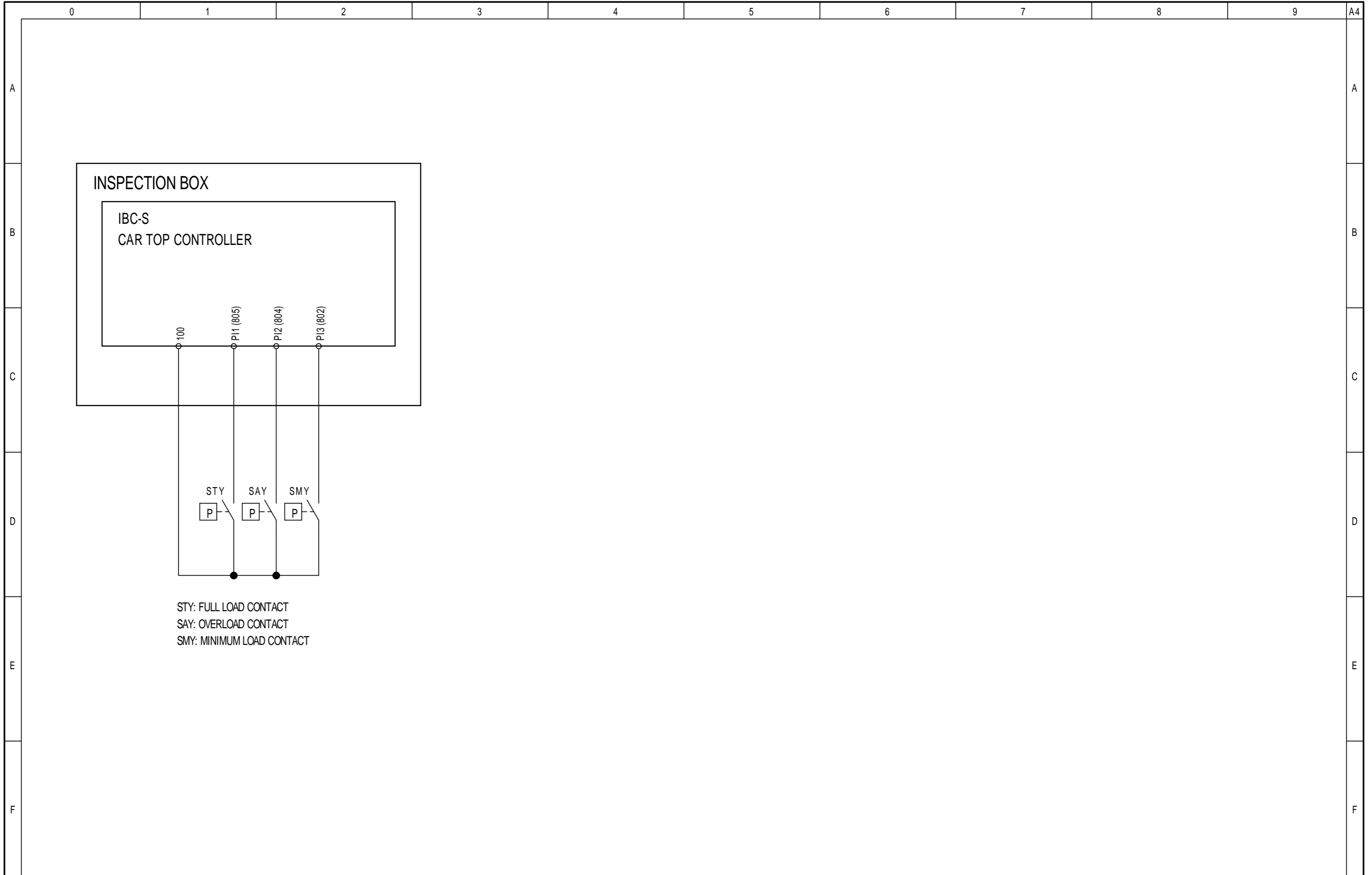
SML1: DOOR ZONE MAGNETIC SWITCH-1 (MONOSTABLE)  
SML2: DOOR ZONE MAGNETIC SWITCH-2 (MONOSTABLE)  
Relevelling function (P0075) > With Liftsense sensor

SKSR1: DOWN LIMIT MAGNETIC SWITCH (BI-STABLE)  
SKSR2: UP LIMIT MAGNETIC SWITCH (BI-STABLE)

# ÖRNEKTİR/SAMPLE

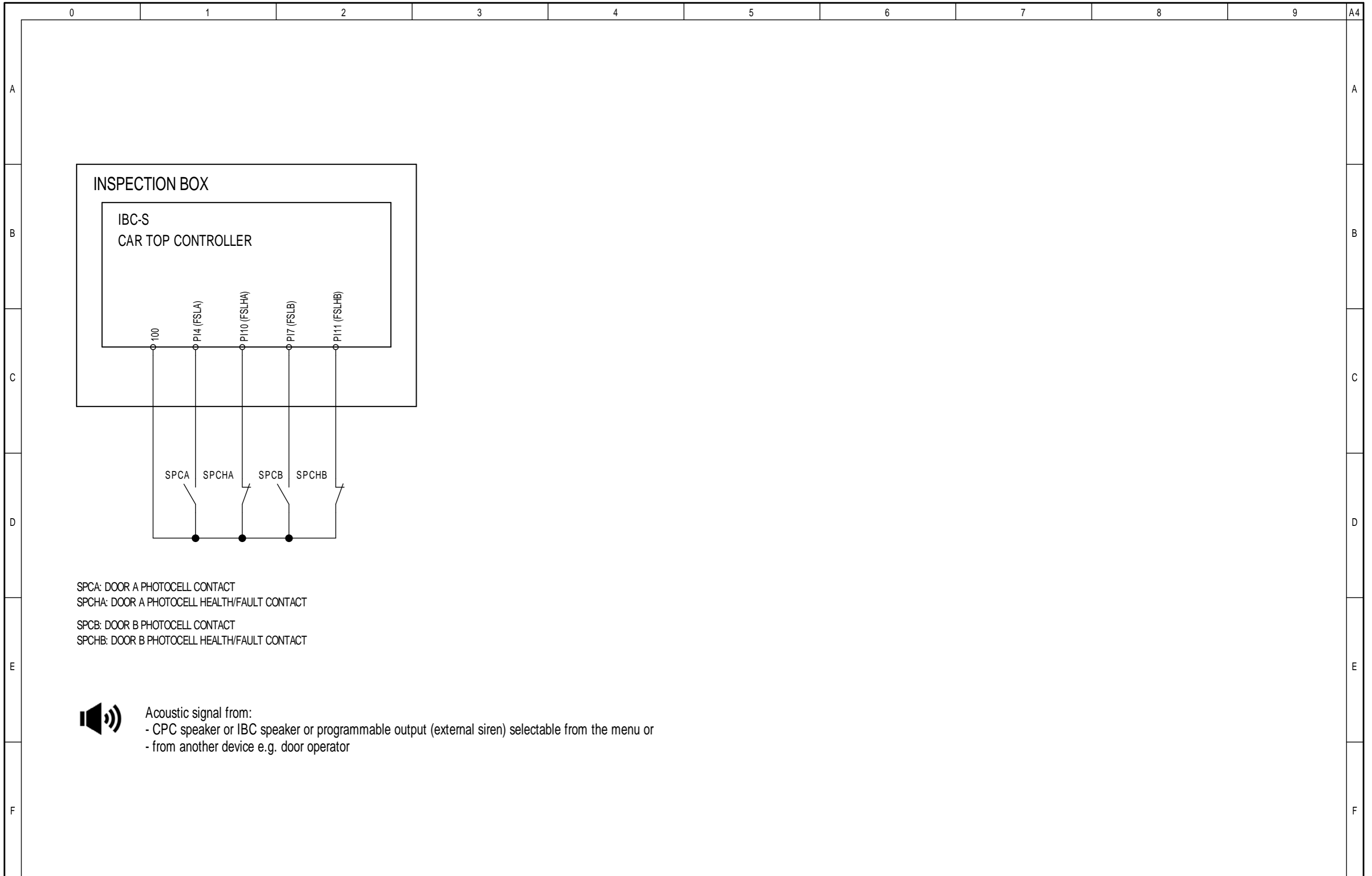


# ÖRNEKTİR/SAMPLE

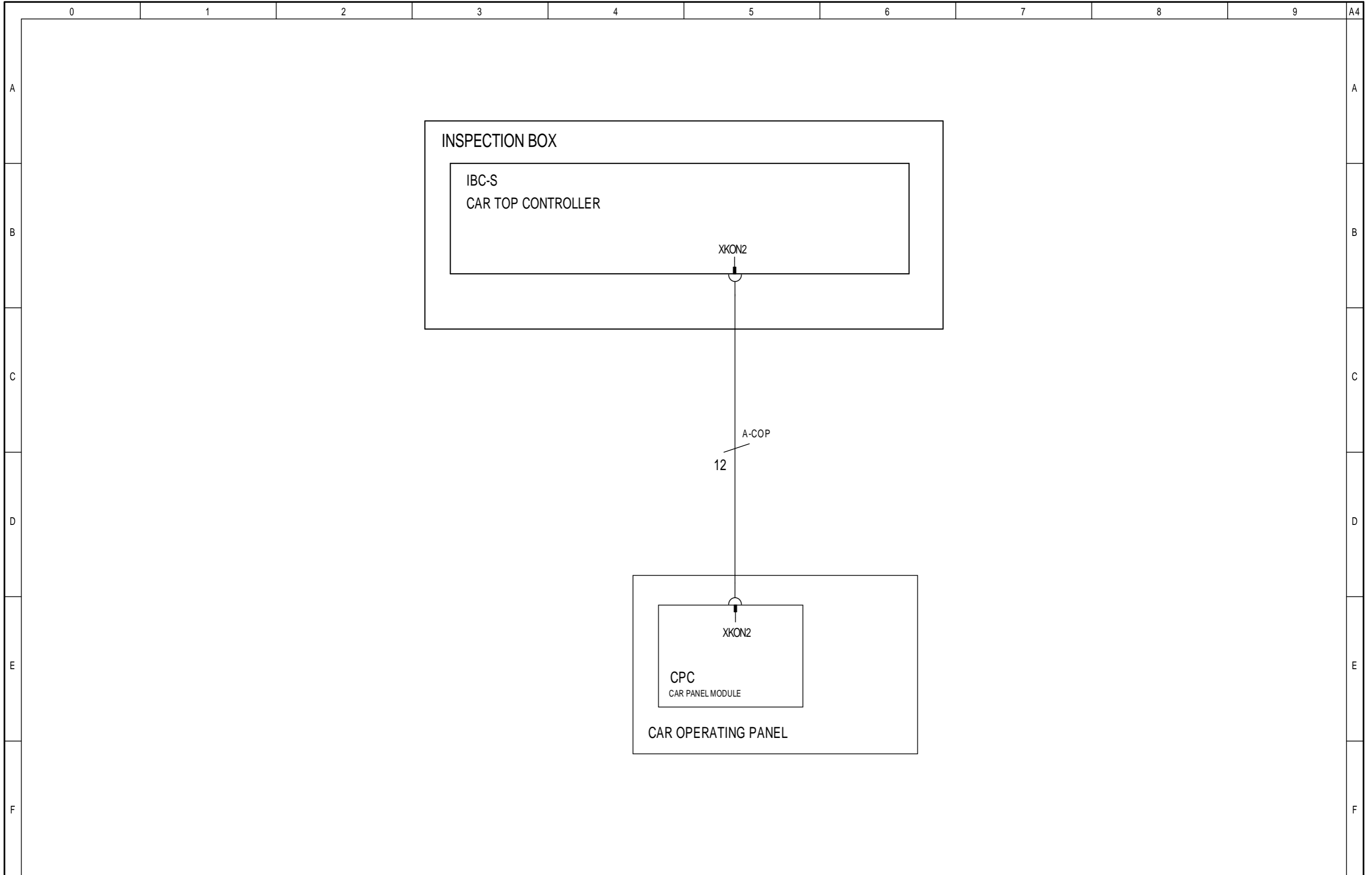


STY: FULL LOAD CONTACT  
SAY: OVERLOAD CONTACT  
SMY: MINIMUM LOAD CONTACT

# ÖRNEKTİR/SAMPLE

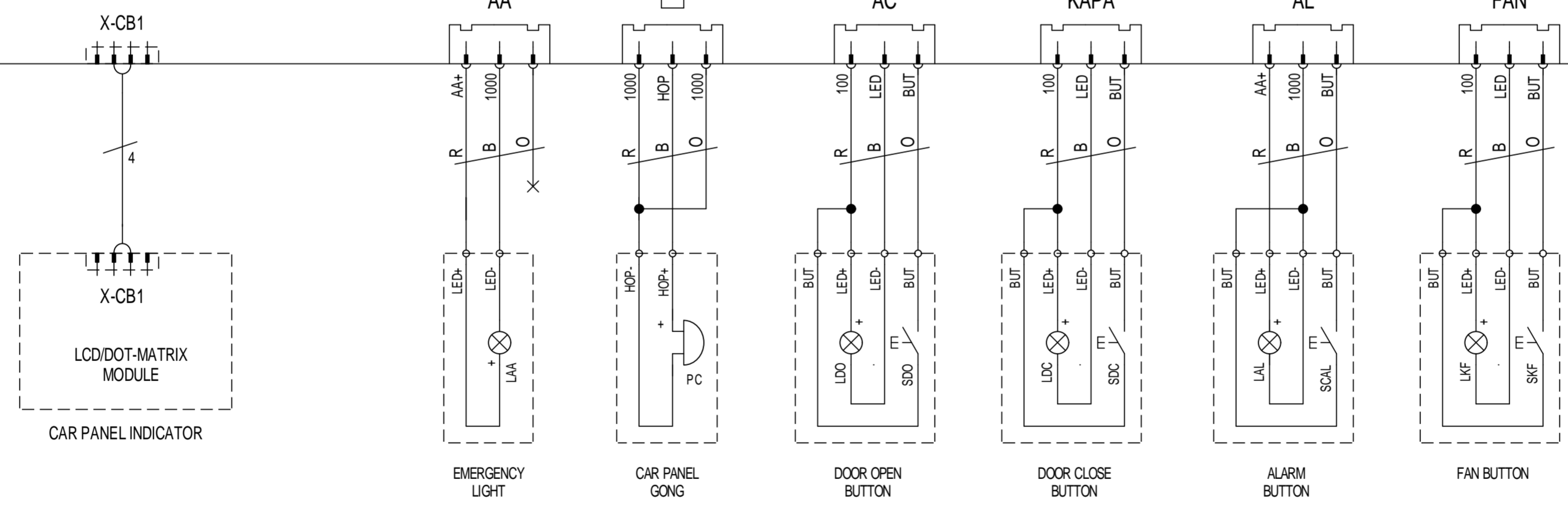


# ÖRNEKTİR/SAMPLE



CAR OPERATING PANEL

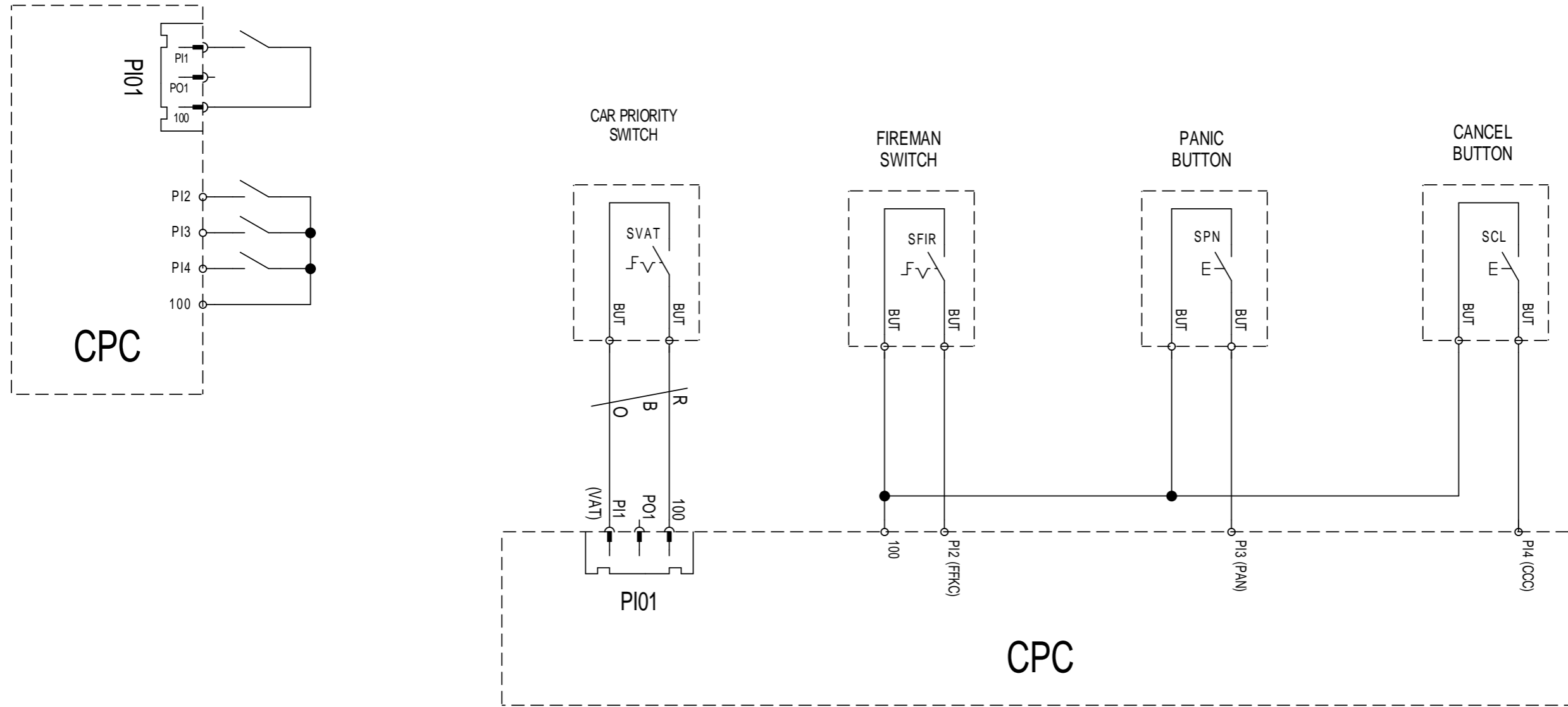
CPC  
CAR PANEL MODULE



SD0: DOOR OPEN BUTTON LD0: DOOR OPEN INDICATOR (24V) SDC: DOOR CLOSE BUTTON LDC: DOOR CLOSE INDICATOR (24V)	SCAL: ALARM BUTTON LAL: ALARM INDICATOR (12V/24V) SKF: FAN BUTTON LKF: FAN INDICATOR (24V)	LAA: EMERGENCY LIGHT (12V/24V) PC: CAR PANEL GONG SVAT: CAR PRIORITY SWITCH SFIR: FIREMAN SWITCH	R: RED B: BROWN O: ORANGE
--	---	---	---------------------------------

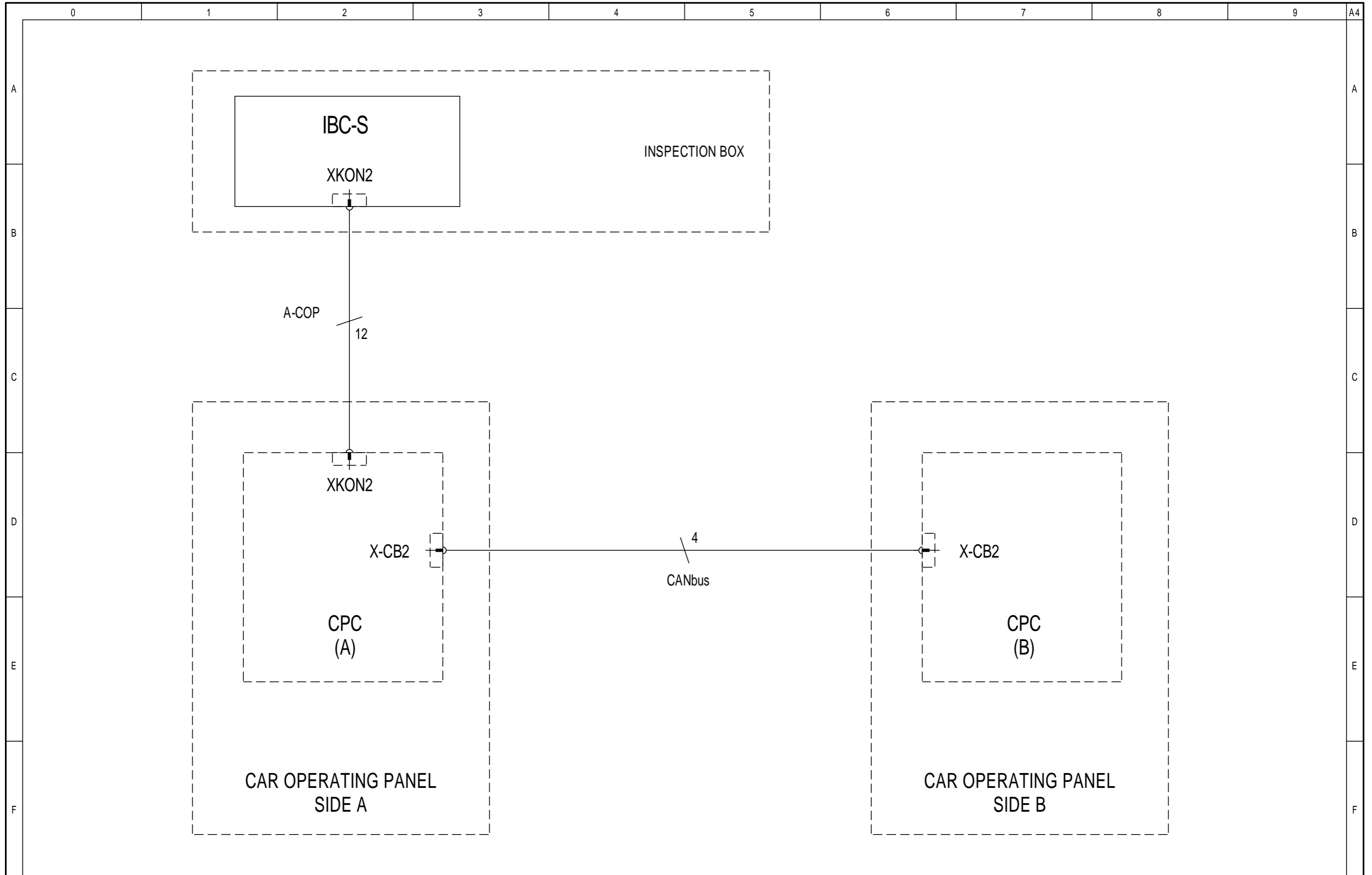
# ÖRNEKTİR/SAMPLE

## Connection of programmable inputs



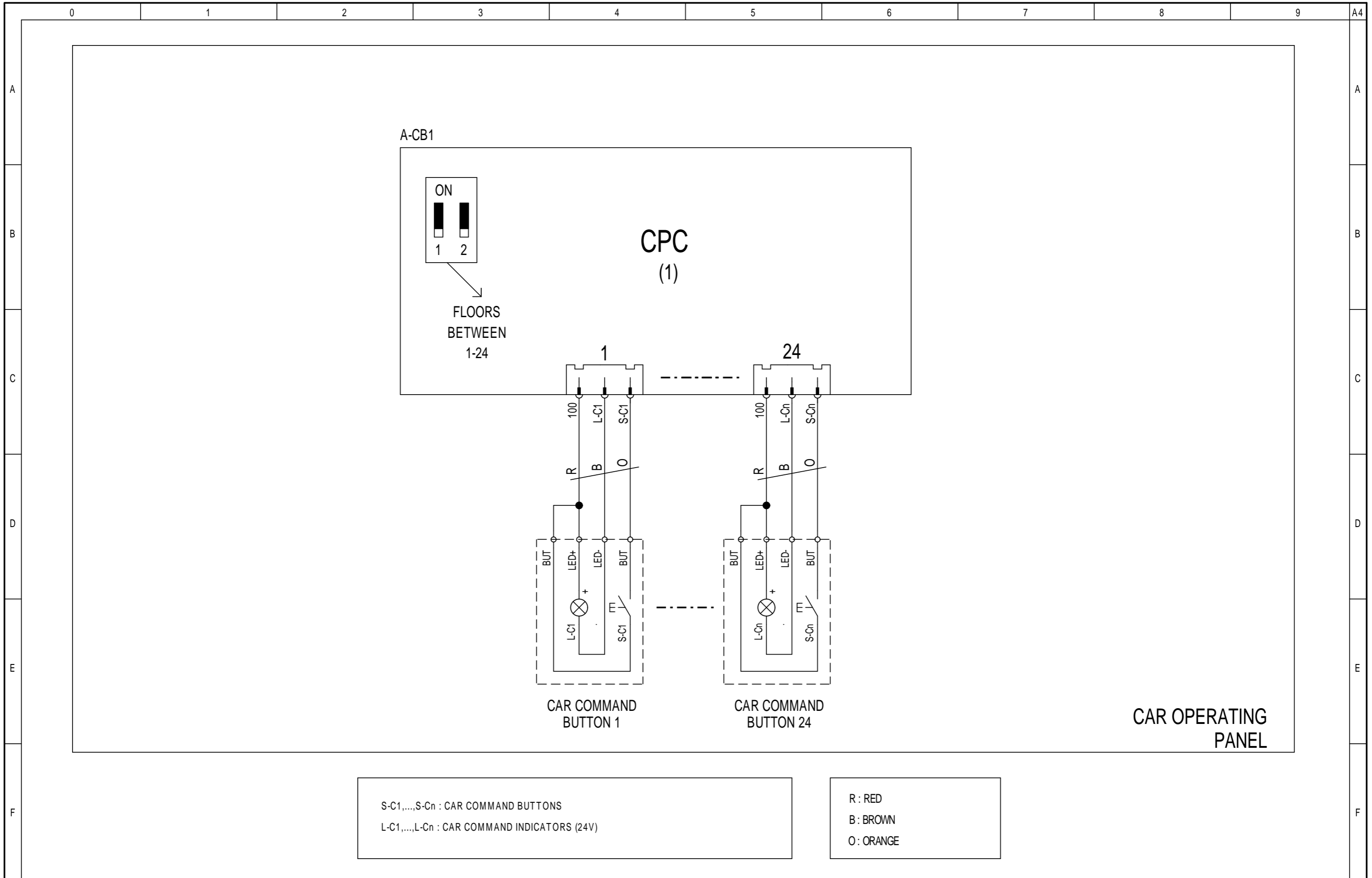
R : RED  
 B : BROWN  
 O : ORANGE

# ÖRNEKTİR/SAMPLE

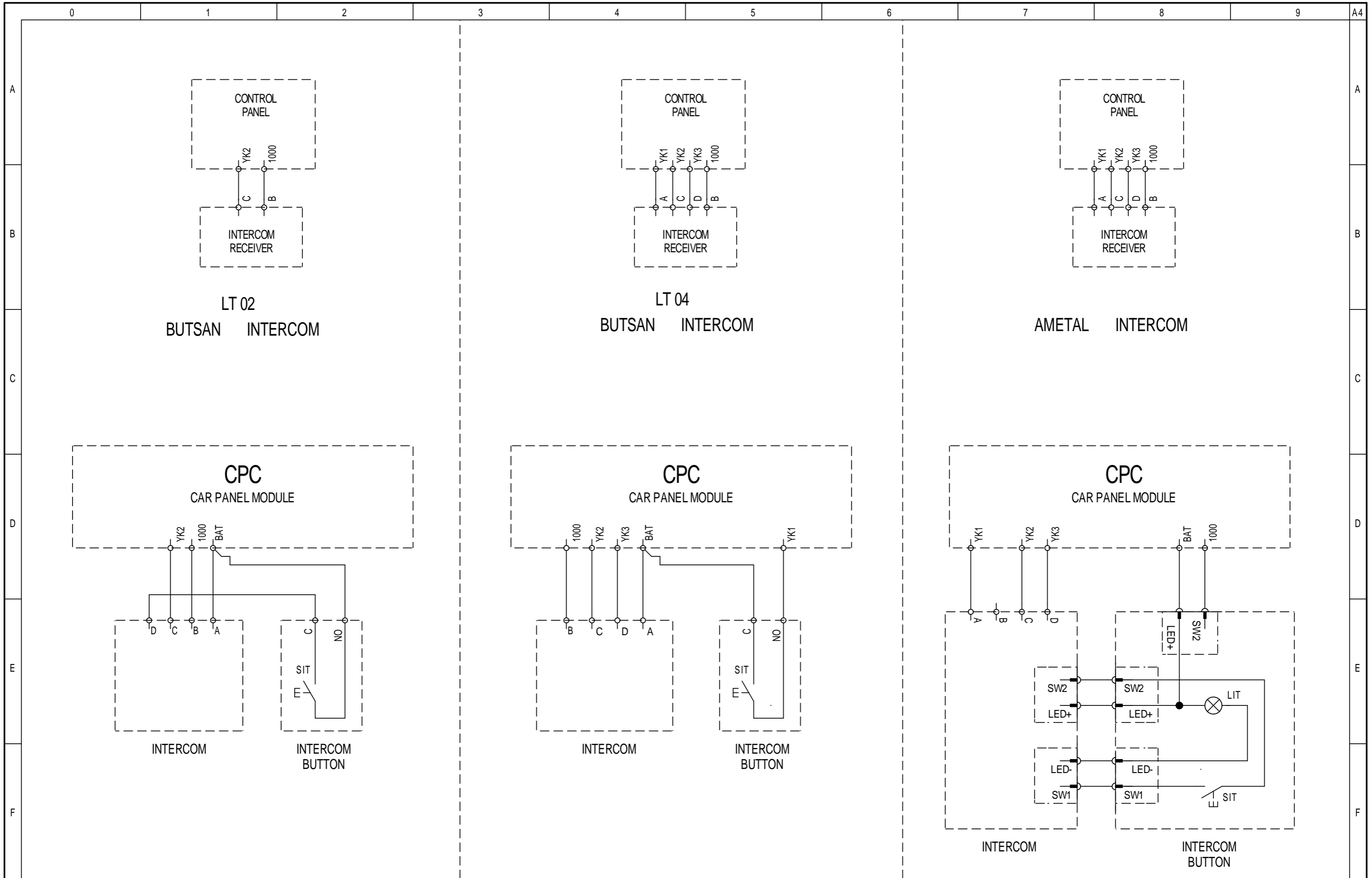




# ÖRNEKTİR/SAMPLE

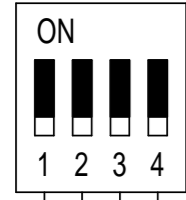


# ÖRNEKTİR/SAMPLE



# ÖRNEKTİR/SAMPLE

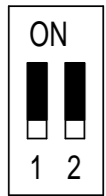
## CAR PANEL SETTING WITH DIPSWITCHES ON CPC MODULE



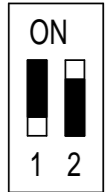
DOOR SIDE SELECTION (A / B / AB)

NUMBER OF COMMANDS SELECTION

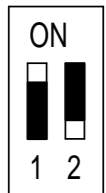
### NUMBER OF COMMANDS SELECTION



Set for car commands between 1 and 24  
(CPC1)



Set for car commands between 25 and 48  
(CPC2)



Set for car commands between 49 and 64  
(CPC3)

### DOOR SIDE SELECTION (A / B / AB)



This panel commands both  
door-A and door-B

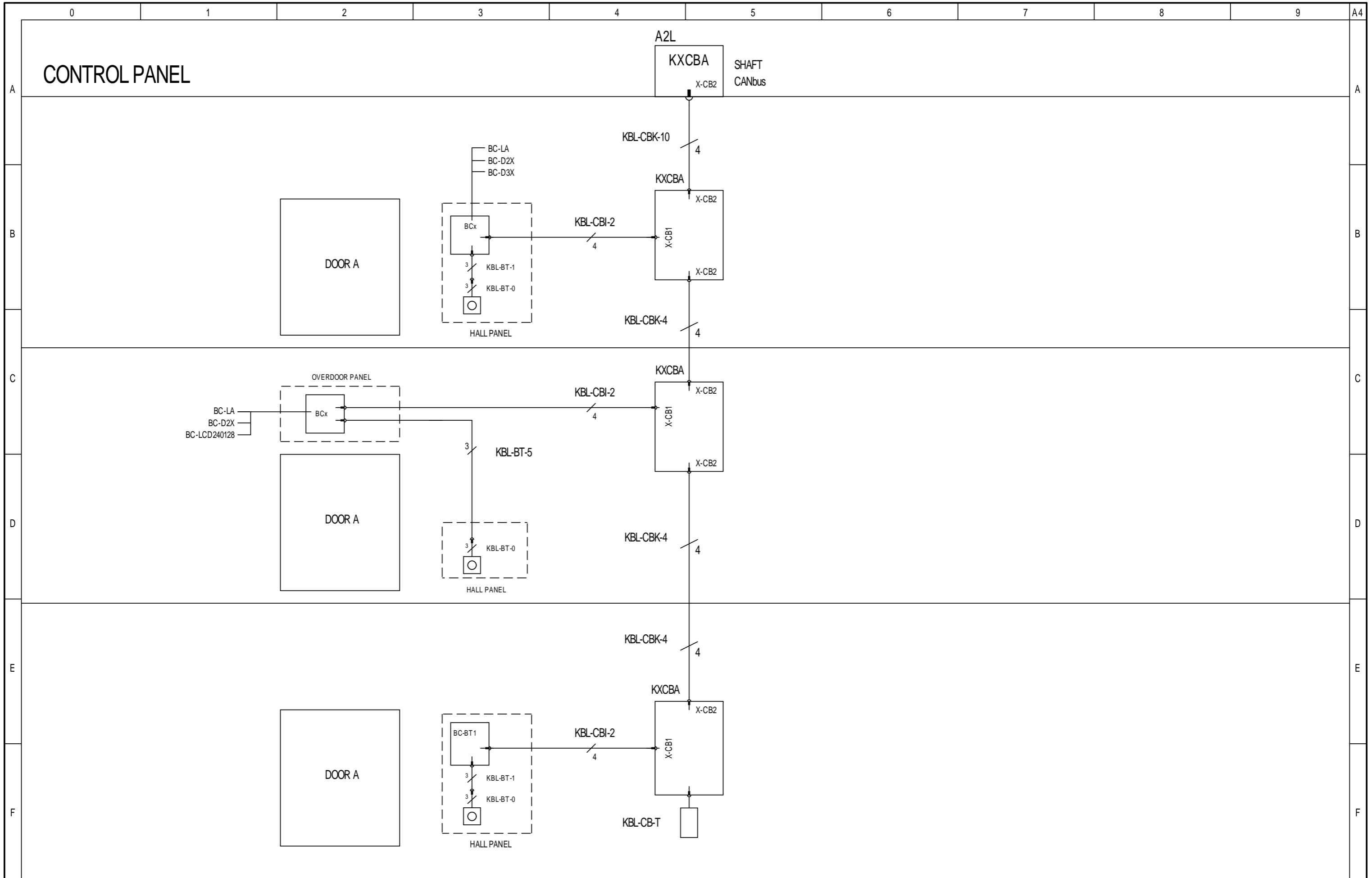


This panel commands door-A



This panel commands door-B

# ÖRNEKTİR/SAMPLE



# ÖRNEKTİR/SAMPLE

## SINGLE BUTTON COLLECTIVE

## FULL COLLECTIVE

CONTROL PANEL

TOP FLOOR

B

INTERMEDIATE FLOORS

D

FIRST FLOOR

F

A3

A

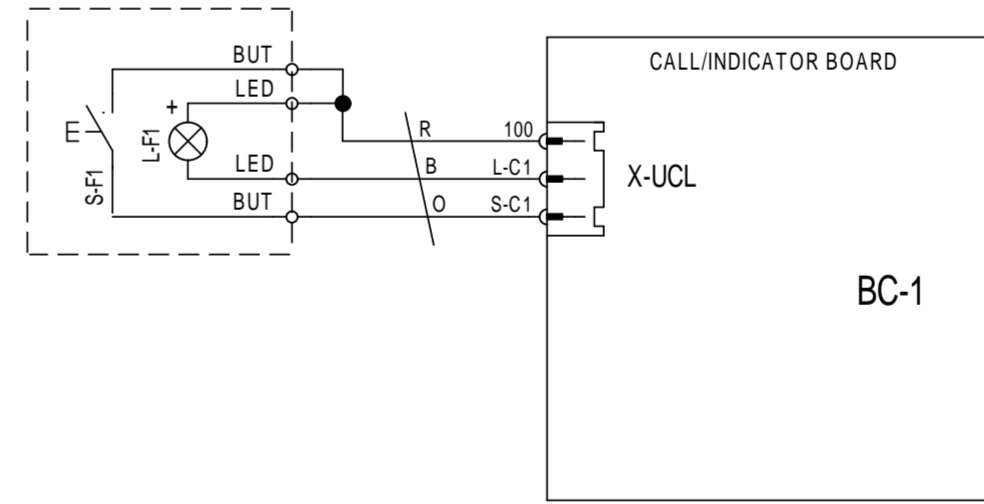
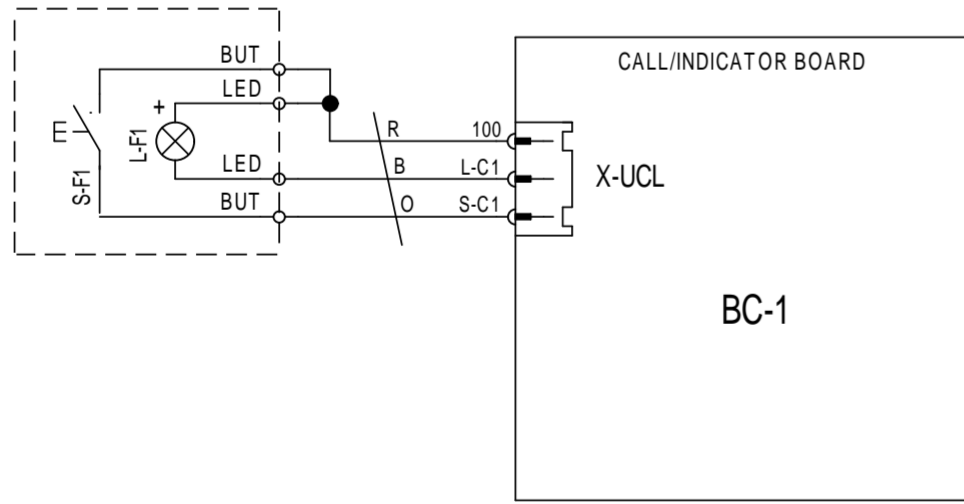
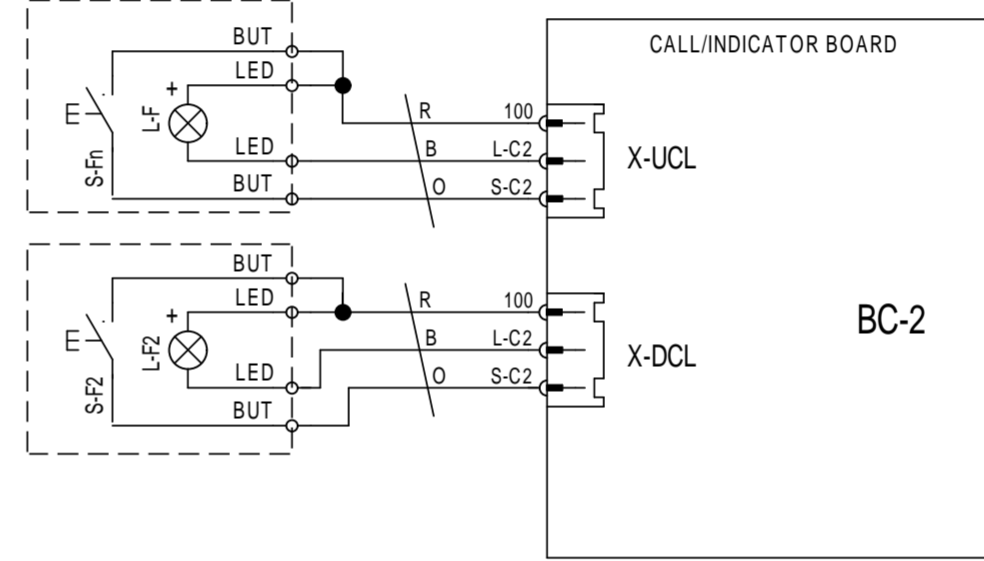
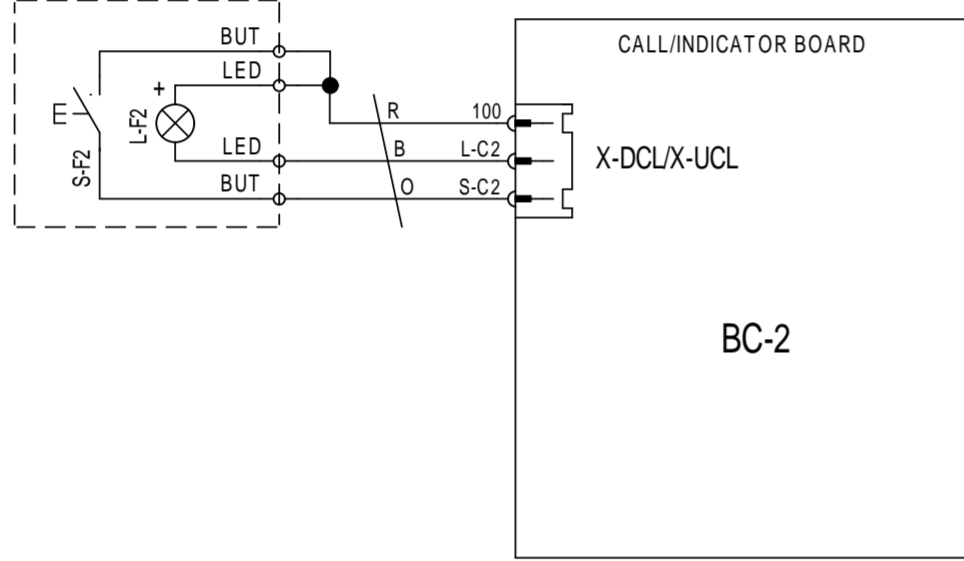
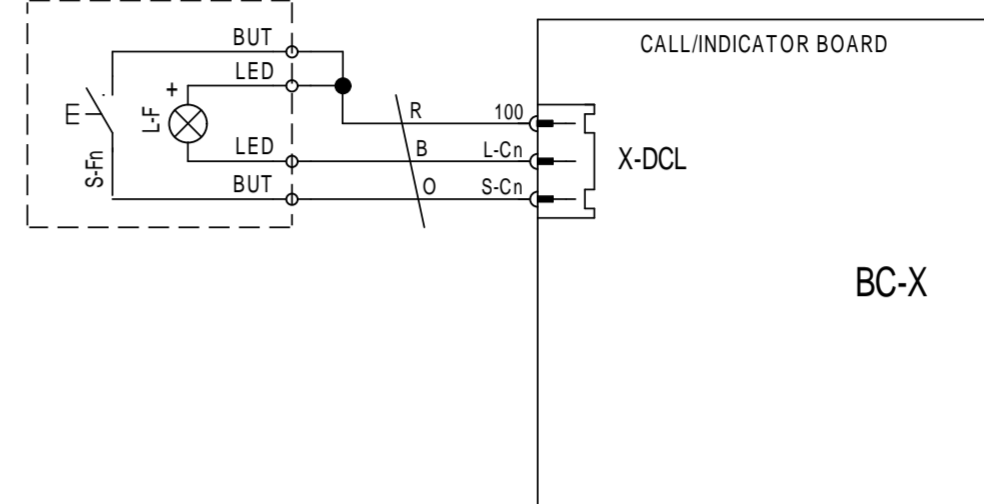
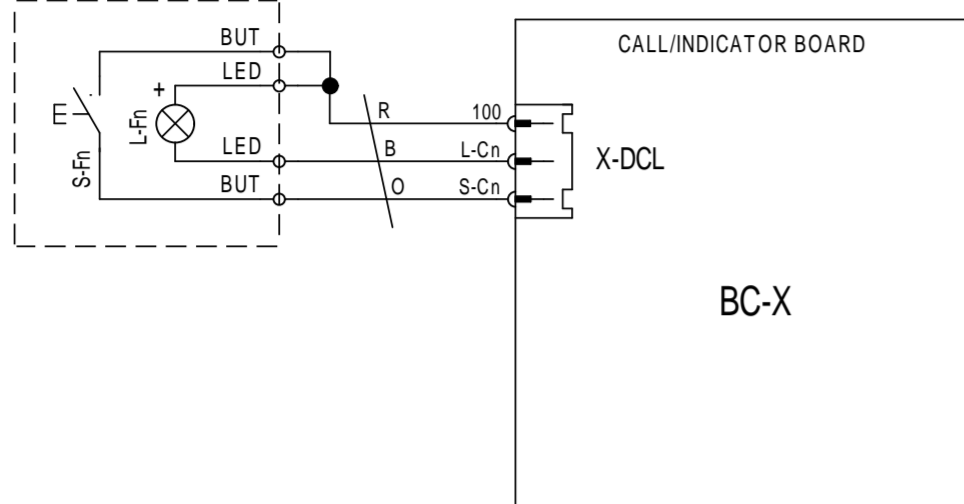
B

C

D

E

F

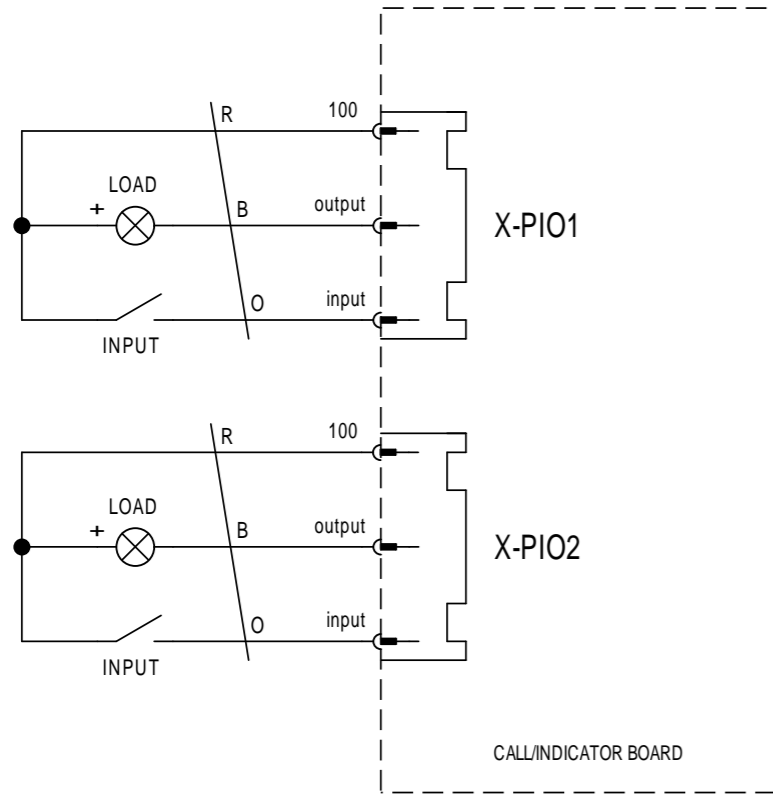


S-F1,....,S-Fn: LANDING CALL BUTTONS  
L-F1,....,L-Fn: LANDING CALL BUTTON INDICATORS (24VDC)

R : RED  
B : BROWN  
O : ORANGE

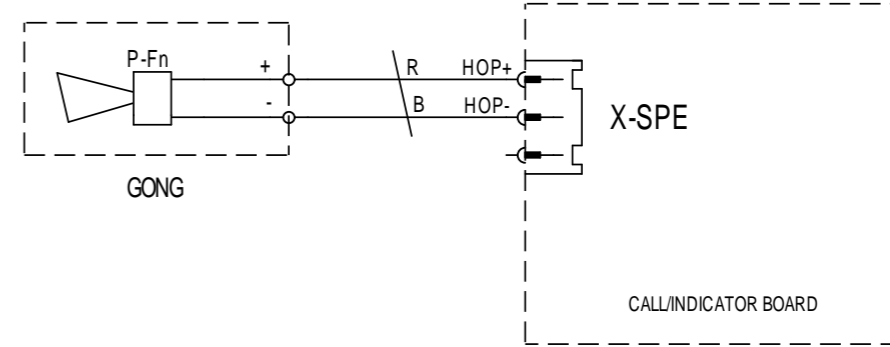
# ÖRNEKTİR/SAMPLE

Connection of programmable input/output

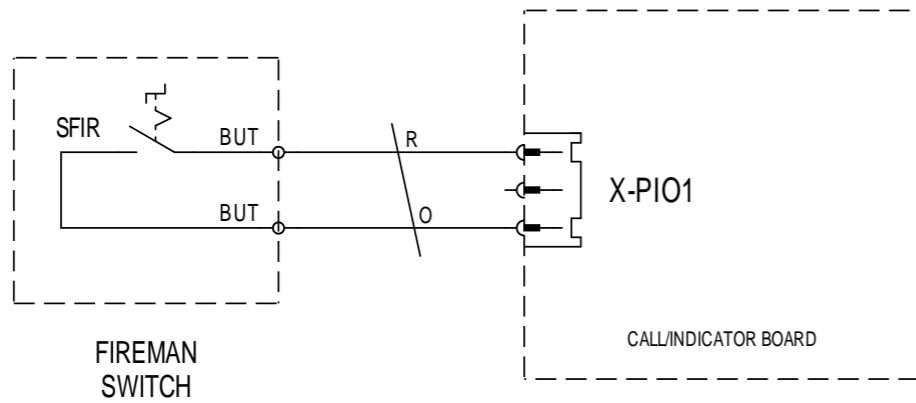


R : RED  
B : BROWN  
O : ORANGE

Connection of landing panel gong



Connection of fireman switch at landing panel



24Vdc power source for external devices

